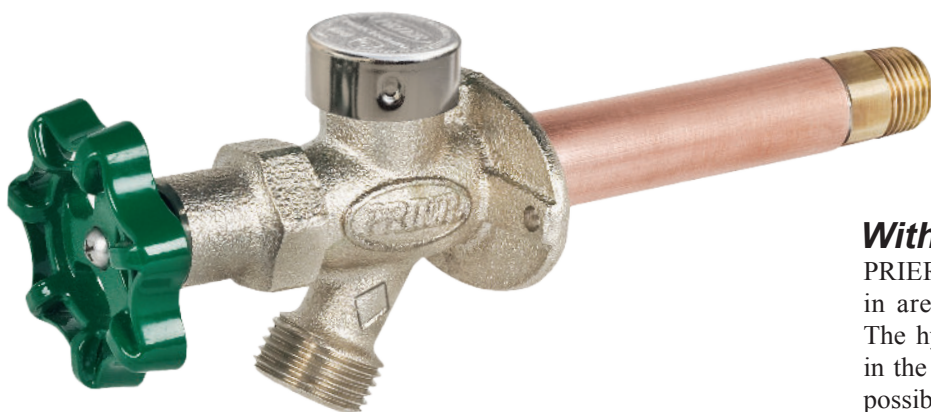




BUILT FOR LIFE

C-144/244 Series Freezeless Wall Hydrant



With Anti-Siphon Vacuum Breaker

PRIER C-144 provides a year round source of water in areas that are subject to freezing temperatures. The hydrant valve is connected to the supply piping in the heated portion of the structure, eliminating the possibility of freezing. Ordering the C-244 gives you the same style hydrant but with a vandal proof extended lockshield and operating key.

The PRIER C-144 has all the characteristics of the historically proven C-134 with the added protection of an anti-siphon vacuum breaker and backflow check valve. It is available from stock in lengths from close coupled to 24", longer sizes are available on request.



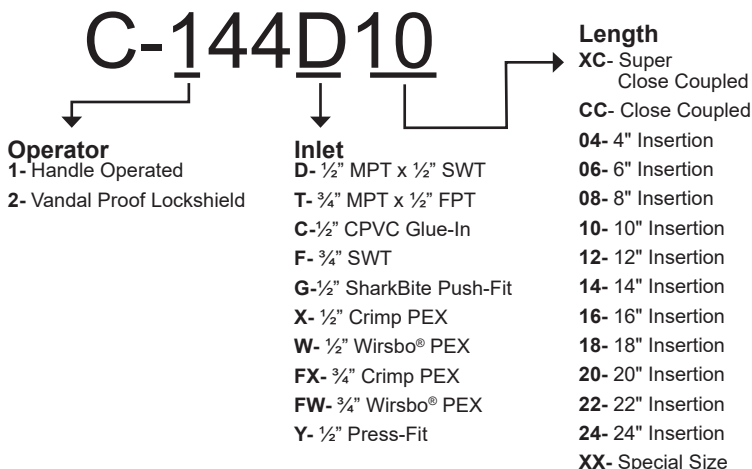
C-244 Loose Key Design

- Residential
- Freezeless
- Anti-Siphon
- Backflow Check Valve

FEATURES

- Anti-siphon aluminum vacuum breaker with EPDM backflow preventer and backflow check valve
- Wide and enclosed screw holes easily secure mounting screws
- Integral cast flange with built-in drainage pitch
- Solid brass body, valve stem cap, seat and stem ends
- Satin nickel plated body maintains attractive finish
- Stainless steel & brass screws
- Per ASSE 1019, pressure rated to 125 PSI, temperature to 140°
- Powder coated cast aluminum handle
- Lock shield cap
- EPDM packing for easy maintenance
- Standard "OO" size seat washer
- Each valve air-tested at factory for leak-free quality
- Spout aligning mark with manufacturer's date code

ORDERING



INLET STYLES



D Style
1/2" MPT x 1/2" SWT



T Style
3/4" MPT x 1/2" FPT



C Style
1/2" CPVC Glue-In



F Style
3/4" SWT



G Style
1/2" SharkBite Push-Fit



Y Style
1/2" Press-Fit



X Style
1/2" Crimp PEX



W Style
1/2" Wirsbo® PEX



FX Style
3/4" Crimp PEX



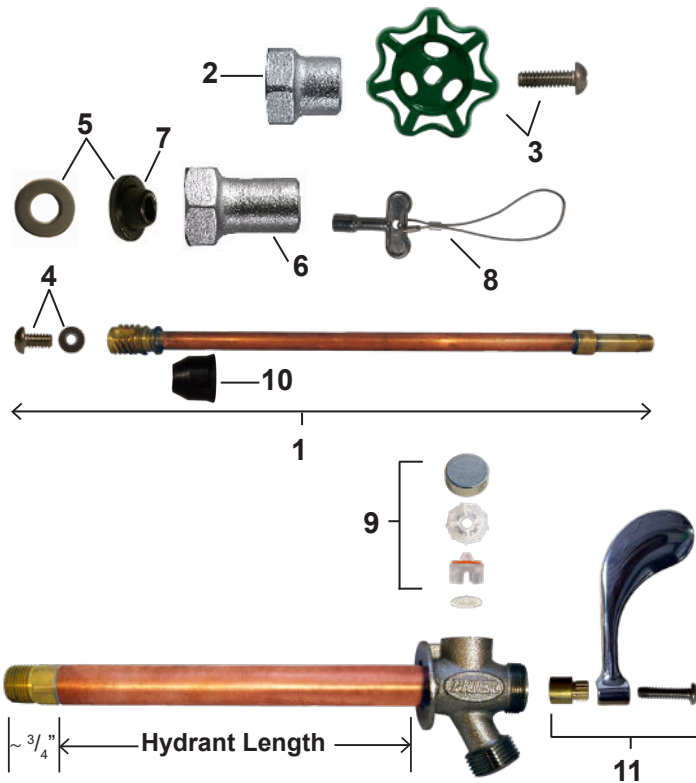
FW Style
3/4" Wirsbo® PEX

4515 E. 139th Street Grandview, MO 64030 | (800) 362-9055 | PRIER.com

*Per ASSE 1019 Code, do not leave on for more than 12 continuous hours.

C-144-Y

C-144/244 REPLACEMENT PARTS



ID	Part No.	Description
1	See Replacement Stem Section	Stem Assembly, Contains: 1, 4, 10
2	300-1008	Valve Stem Cap
3	C-134KT-805	Handle and Screw Kit
4	C-134KT-802	Seat Washer Replacement Kit (00 Beveled)
5	C-134KT-803	Stem Packing Replacement Kit
6	310-1015	Valve Stem Cap for Loose Key
7	336-0043	Stem Packing Only
8	C-108KT-808	Oval Style Key on Lanyard
9	C-144KT-806	Universal Vacuum Breaker Replacement Kit
10	336-0002	Backflow Check Valve for C-144
11	C-134KT-808	ADA Handle Conversion Kit
	C-134KT-804	Handle to Loose Key Conversion Kit Contains: 5,6,8
	C-234KT-804	Loose Key to Handle Conversion Kit Contains: 2, 3, 5
	C-144KT-807	C-144 Overhaul Kit Contains: 3, 4, 5, 9, 10

*The C-144KT-806 Universal Vacuum Breaker Kit fits all current and past PRIER and Mansfield style residential hydrants.

REPLACEMENT STEMS



G Style Manufactured April 2013 - Present

Part No.	Style	Stem Length	Description
310-0063	G	3 5/16" OAL	Super Close Coupled Stem for C-144 Hydrant
P-231-12CC	G	4 7/16" OAL	Close Coupled Stem for C-144 Hydrant
P-231-1204	G	6 15/16" OAL	Stem for C-144 Series 4" Hydrant
P-231-1206	G	8 15/16" OAL	Stem for C-144 Series 6" Hydrant
P-231-1208	G	10 15/16" OAL	Stem for C-144 Series 8" Hydrant
P-231-1210	G	12 15/16" OAL	Stem for C-144 Series 10" Hydrant
P-231-1212	G	14 15/16" OAL	Stem for C-144 Series 12" Hydrant
P-231-1214	G	16 15/16" OAL	Stem for C-144 Series 14" Hydrant
P-231-1216	G	18 15/16" OAL	Stem for C-144 Series 16" Hydrant
P-231-1218	G	20 15/16" OAL	Stem for C-144 Series 18" Hydrant
P-231-1220	G	22 15/16" OAL	Stem for C-144 Series 20" Hydrant
P-231-1222	G	24 15/16" OAL	Stem for C-144 Series 22" Hydrant
P-231-1224	G	26 15/16" OAL	Stem for C-144 Series 24" Hydrant
P-231-12US	G	Up to 16 15/16" OAL	*Universal Replacement Stem for C-144 Hydrant

**For stems manufactured before 2013, see C-144 Series retired style spec sheet at PRIER.com. PRIER universal stems are replacement stems for any size from 4" to 14." The P-231-12US Universal Stem requires cutting the rod to proper length and soldering the brass stem end to the rod as directed in instructions.

4515 E. 139th Street Grandview, MO 64030 | (800) 362-9055 | PRIER.com

*Per ASSE 1019 Code, do not leave on for more than 12 continuous hours.

C-144-Y