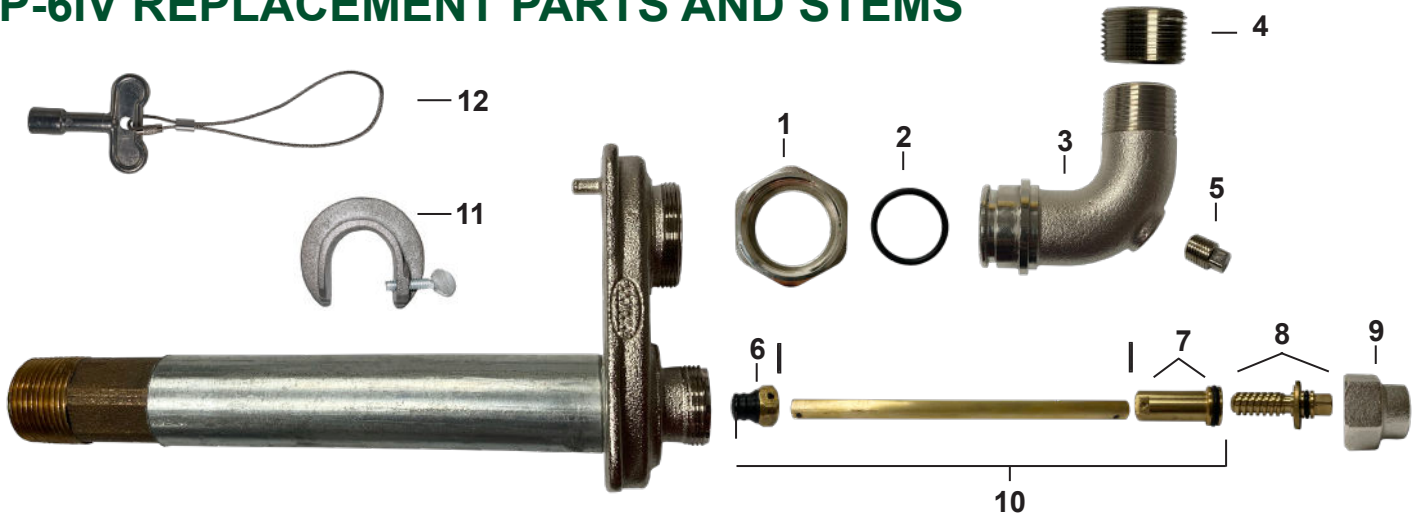




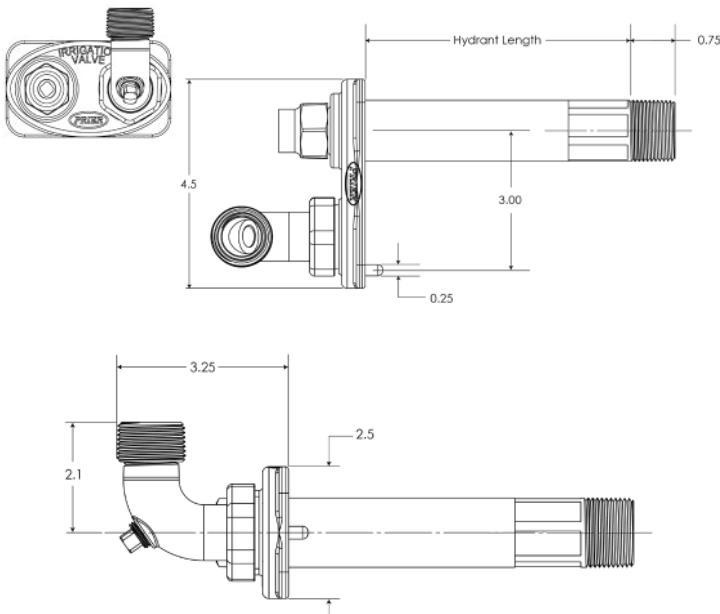
Build With Purpose

P-6IV REPLACEMENT PARTS AND STEMS



ID	Part No.	Description	ID	Part No.	Description
1	310-0091	Nut (Drain Elbow)		P-231-0906	Stem for 6" P-6IV Hydrant, 6.7" OAL
2	336-0033	O-Ring		P-231-0908	Stem for 8" P-6IV Hydrant, 8.7" OAL
3	300-0058	Cast Brass Drain Elbow		P-231-0910	Stem for 10" P-6IV Hydrant, 10.7" OAL
4	310-0094	Bushing 3/4" x 1" Adapter		P-231-0912	Stem for 12" P-6IV Hydrant, 12.7" OAL
5	310-0093	1/4" NPT Plug		P-231-0914	Stem for 14" P-6IV Hydrant, 14.7" OAL
6	C-634KT-802	Stopper Kit		P-231-0916	Stem for 16" P-6IV Hydrant, 16.7" OAL
7	C-634KT-808	Worm Sleeve with O-Ring		P-231-0918	Stem for 18" P-6IV Hydrant, 18.7" OAL
8	C-634KT-809	Worm Drive Assembly with O-Ring		P-231-0920	Stem for 20" P-6IV Hydrant, 20.7" OAL
9	300-6003	Valve Stem Cap		P-231-0922	Stem for 22" P-6IV Hydrant, 22.7" OAL
10	See Below	Stem Assembly, Contains: 6, 7		P-231-0924	Stem for 24" P-6IV Hydrant, 24.7" OAL
	P-231-0904	Stem for 4" P-6IV Hydrant, 4.7" OAL	12	C-108-KT-808	Loose Key
11	C-634WCR	Wall Clamping Ring			

ROUGH-IN DIMENSIONS



INSTALLATION EXAMPLES

