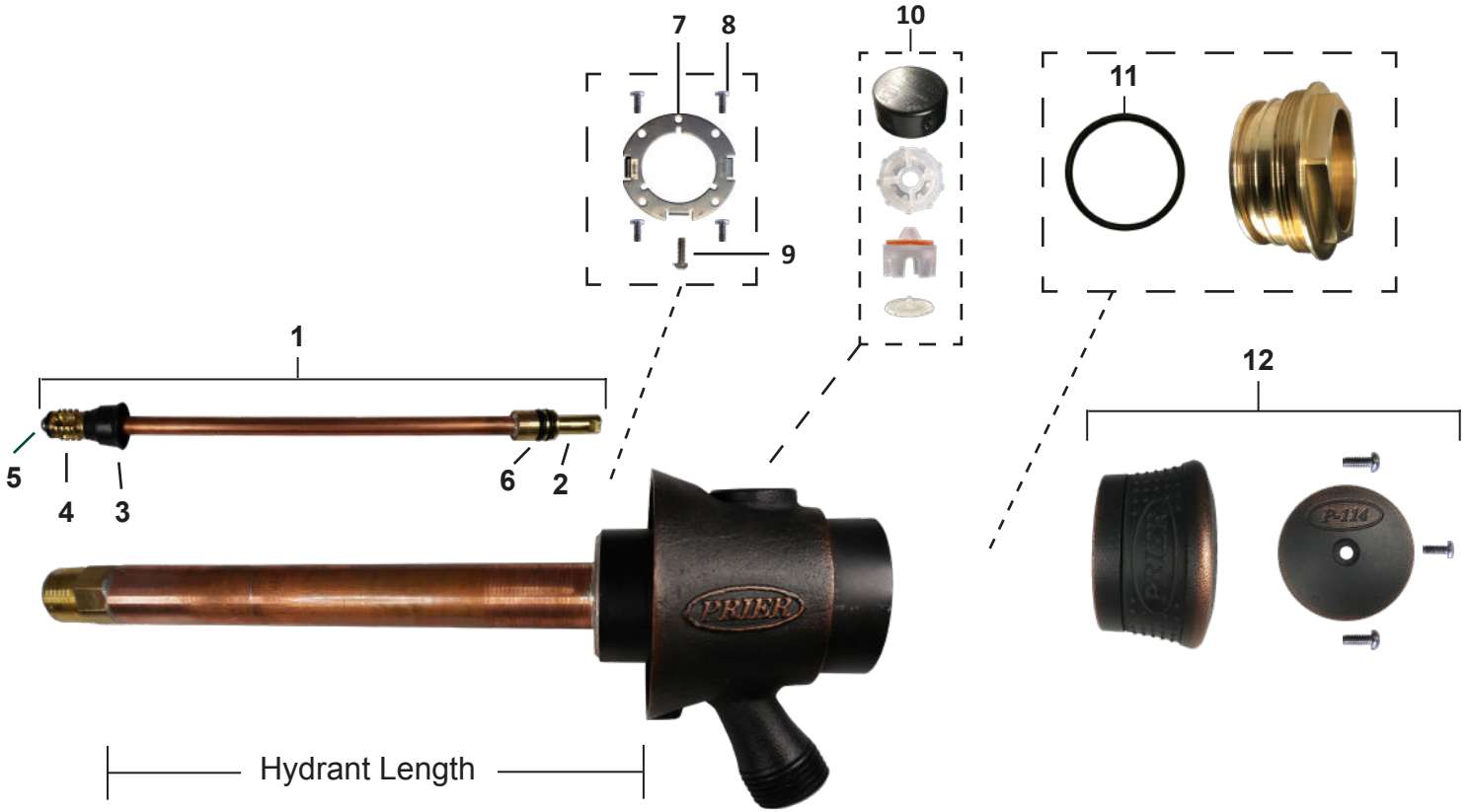




BUILT FOR LIFE

P-114 REPLACEMENT PARTS



ID	Part No.	Description	ID	Part No.	Description
1	See Below	Stem Assembly, Contains: 2, 3, 4, 5, 6	10	C-144KT-806	Vacuum Breaker Kit - Satin Nickel Plated
2	310-0083	Stem End Handle		C-144KT-806-ORB	Vacuum Breaker Kit - Oil-Rubbed Bronze
3	336-0002	Backflow Preventer		C-144KT-806-MB	Vacuum Breaker Kit - Matte Black
4	310-0030	Stem End Seat		P-114KT-801	All Seals Kit (Includes: 3, 5, 6)
5	C-134KT-802	Seat Washer Replacement Kit	11	336-0020	O-Ring, EPDM 70A
6	336-0030	O-Ring, EPDM 90A	12	P-114KT-805	Handle Kit - Satin Nickel Plated
	P-118KT-810	Mounting Bracket Kit (Includes: 7, 8, 9)		P-114KT-805-ORB	Handle Kit - Oil-Rubbed Bronze
				P-114KT-805-MB	Handle Kit - Matte Black

REPLACEMENT STEMS

Part No.	Stem Length	Description
P-231-1604	7"	Stem for P-114 Hydrant OAL
P-231-1606	9"	Stem for P-114 Hydrant OAL
P-231-1608	11"	Stem for P-114 Hydrant OAL
P-231-1610	13"	Stem for P-114 Hydrant OAL
P-231-1612	15"	Stem for P-114 Hydrant OAL
P-231-1614	17"	Stem for P-114 Hydrant OAL

4515 E. 139th Street Grandview, MO 64030 | (800) 362-9055 | PRIER.com

*Per ASSE 1019 Code, do not leave on for more than 12 continuous hours.