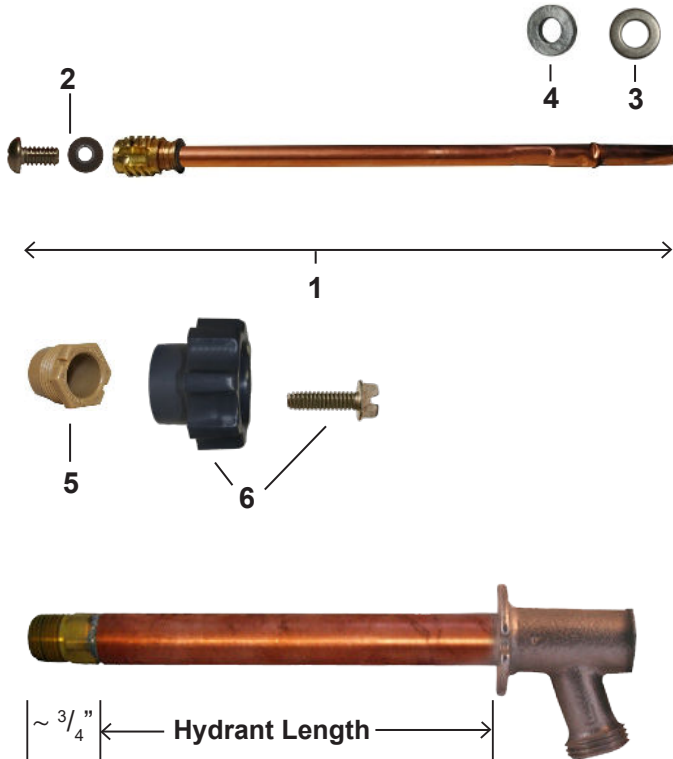




300 SERIES REPLACEMENT PARTS



ID	Part No.	Description
1	See Replacement Stems Section	Stem Assembly, Contains: 1, 3, 4
2	C-134KT-802	Seat Washer Replacement Kit (00 Beveled)
3	324-1006	Washer (Stainless Steel)
4	336-0044	Packing for Left Hand Packing Nut
5	337-3001	Left Hand Thread Packing Nut (Plastic)
6	630-7965	Handle & Screw Kit (Grey Plastic Handle & Stainless Steel Screw)
	630-7975	Handle & Screw Kit (Beige Plastic Handle & Stainless Steel Screw)
	630-7755	Service Kit for 300/400/500 Series Contains: 2, 3, 4, 5

*The 630-7755 Wall Hydrant Repair Kit includes parts for the 300, 400 and 500 Series hydrants, some of which are not pictured here. When repairing a hydrant you will have parts left over.

REPLACEMENT STEMS



G Style Manufactured April 2013 - Present

Part No.	Style	Stem Length	Description
M-231-3104	G	6 ⁹ / ₁₆ " OAL	Stem for 300 Series 4" Hydrant
M-231-3106	G	8 ⁹ / ₁₆ " OAL	Stem for 300 Series 6" Hydrant
M-231-3108	G	10 ⁹ / ₁₆ " OAL	Stem for 300 Series 8" Hydrant
M-231-3110	G	12 ⁹ / ₁₆ " OAL	Stem for 300 Series 10" Hydrant
M-231-3112	G	14 ⁹ / ₁₆ " OAL	Stem for 300 Series 12" Hydrant
M-231-3114	G	16 ⁹ / ₁₆ " OAL	Stem for 300 Series 14" Hydrant

**For stems manufactured before 2013, see 300 Series retired style spec sheet at PRIER.com.

OLD STYLE
Manufactured 1960-April 2013



4515 East 139th Street
 Grandview, MO 64030
 (800) 362-9055
 Fax (800) 362-1463
 www.PRIER.com

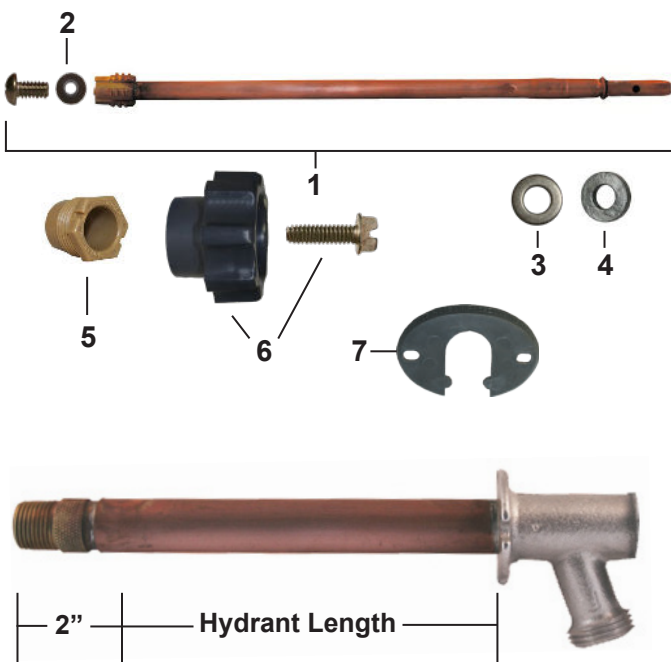
300 Series Freezeless Wall Hydrant



- Residential
- Freezeless
- Solid Brass Body



Replacement Parts and Stems



ID	Part No.	Description
1	See Below	Stem Assembly, Contains: 1, 2, 3, 4
2	C-134KT-802	Seat Washer Replacement Kit (00 Beveled)
3	324-1006	Washer (Stainless Steel)
4	339-3002	Packing for Left Hand Packing Nut (Graphite)
5	337-3001	Left Hand Thread Packing Nut (Plastic)
6	630-7965	Handle & Screw Kit (Grey Plastic Handle & Stainless Steel Screw)
	630-7975	Handle & Screw Kit (Beige Plastic Handle & Stainless Steel Screw)
7	337-3012	Space Wedge (Grey, Plastic)
	337-3013	Space Wedge (Beige, Plastic)
	630-7755	Service Kit for 300/400/500 Series Contains: 2, 3, 4, 5

*The 630-7755 Wall Hydrant Repair Kit includes parts for the 300, 400 and 500 Series hydrants, some of which are not pictured here. When repairing a hydrant you will have parts left over.



Old Style Style Manufactured approx. 1960's - April 2013

Part No.	Stem Length	Description
M-123-5031	7 ⁵ / ₈ " OAL	Stem for 300 Series 4" Hydrant
M-123-5032	9 ⁵ / ₈ " OAL	Stem for 300 Series 6" Hydrant
M-123-5033	11 ⁵ / ₈ " OAL	Stem for 300 Series 8" Hydrant
M-123-5034	13 ⁵ / ₈ " OAL	Stem for 300 Series 10" Hydrant
M-123-5035	15 ⁵ / ₈ " OAL	Stem for 300 Series 12" Hydrant
M-123-5036	17 ⁵ / ₈ " OAL	Stem for 300 Series 14" Hydrant

300 Series stems are made to fit the 300 Series Residential Wall Hydrants only. They are not interchangeable with an other models.