



# P-5400 & P-5400-90



*P-5400-XX Single Pedestal Drinking Fountain*

*P-5400-90-XX Single Pedestal Drinking Fountain with Pet Fountain*

The deep, rich Woodland Green standard color, scratch resistant finish make these fountains an excellent choice for playgrounds and recreational areas. Designed to defy the elements, resist vandals and stand up to hard everyday use. Heavy-duty design and construction are made to stand up to the toughest environments. All waterways are lead free. Both models are ADA compliant.

## FEATURES

- All steel heavy-duty construction with welded and ground joints for a clean and tidy appearance
- Vandal resistant access plates for security and simple future maintenance
- Vandal resistant bubbler guard assures years of service
- Water pressure range of 30-80 PSI
- Anchor installed mounting plate comes standard, optional ground installed mounting plate (SMP-10) available as an option for installation assistance
- Recessed push button requires less than 5 lbs of force and is manufactured from chrome plated brass for reliability and long wear life
- Simple flow adjustment without dismantling of the fountain with a water flow of 0.5 GPM
- Fountain bowl is heavy duty 18 gauge stainless steel with brushed finish and vandal-resistant chrome plated brass strainer. A drain tool is included with each fountain
- All flow paths are lead-free with reinforced stainless-steel tubing that meets NSF standards.
- In-line mesh screen Y strainer
- 1/2" Inlet stop valve for simple future maintenance.
- 1 1/4" IPS waste pipes included on each fountain.
- Standard Woodland Green finish with optional colors available
- Custom color orders are non-cancellable and non-returnable

## ORDERING

*Fountain Only*

**P-5400-XX**

*Fountain & Pet Fountain*

**P-5400-90-XX**

- Color
- BK- Black
  - BL- Blue
  - BZ- Bronze
  - CC- Chrome Clear
  - \*GR- Green
  - OR- Orange
  - RD- Red
  - SD- Sand
  - SV- Silver
  - WH- White
  - YL- Yellow

## POWDER COAT COLORS



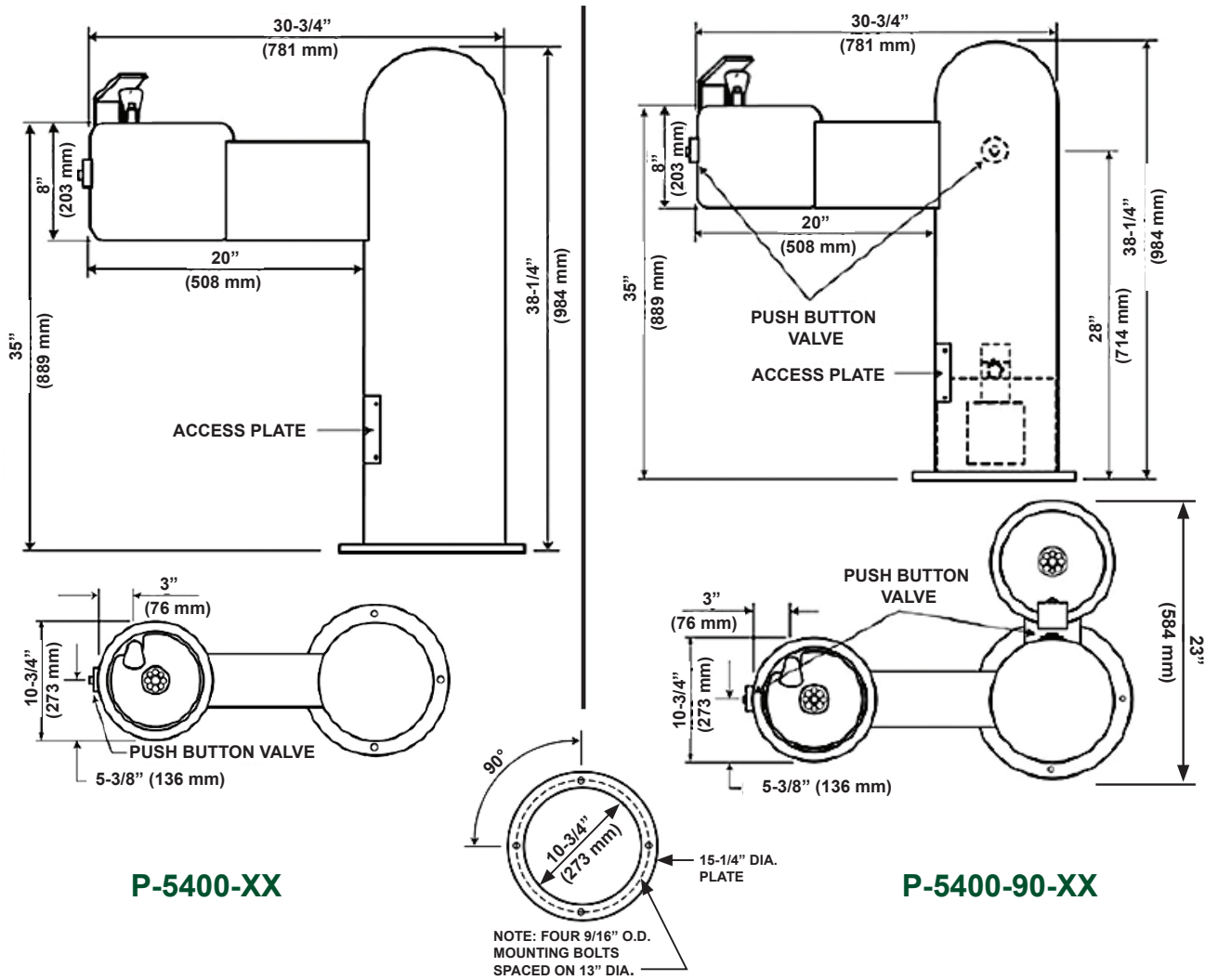
\*Standard Woodland Green Finish

# ROUGH-IN DIMENSIONS

These rough-in dimensions may vary 1/2" (13 mm) plus or minus

**P-5400-XX** 38-1/4"H x 10-3/4"W x 30-3/4"L / Single with Surface Mount

**P-5400-90-XX** 38-1/4"H x 23"W x 38-3/4"L / Single with Surface Mount and Pet Fountain



# REPLACEMENT PARTS/ KITS

- P-231-0260** Chrome Plated Theft Proof Drain
- P-231-0262** Push Button Assembly
- P-337-0053** 1-1/4" OD x 7/8" ID 1/8" TK Rubber Washer
- P-399-0002** 1/4" Fluid Pressure Regulator
- SMP-10** Surface Mounting Plate

# SPECS

Furnish and install the PRIER Pedestal Drinking Fountain (specify model # and color). Drinking fountains shall be carbon steel and a powder coated finish. Fountain shall have chrome plated brass bubblers with vandal resistant bubbler guard. Water pressure range shall be 30-80 PSI. Fountains shall provide simple flow adjustment without requiring dismantling of fountain with a water flow of 0.5 GPM. Welded anchor base shall be 1/2" thick. Push buttons shall require less than 5 lbs of force in compliance with ADA code. Fountains shall be installed per manufacturers recommendations and instructions. Models conform to ADA standards. All drinking fountain flow paths are lead free with reinforced stainless steel tubing that complies with NSF-61 standards. Made in the USA.