



526 Series Boiler Drains



Mansfield Style 526 Series

FEATURES

- Cast red brass construction to prevent dezincification
- Solid brass operating stem
- Large unobstructed waterways for greater flow rates
- Cast metal handle assembly with brass mounting screw
- Green standard handle with red or blue options
- Packing nut design for years of reliable life
- EPDM smooth turn
- FPT and MPT inlet connections
- 3/4" garden hose connection outlet
- Solid brass fast-travel stem with ACME threads
- Each valve individually tested

ORDERING

526.40-B

Inlet

40- 1/2" FPT

42- 1/2" MPT x 1/2" SWT

43- 1/2" Compression

62- 3/4" MPT

Handle Option

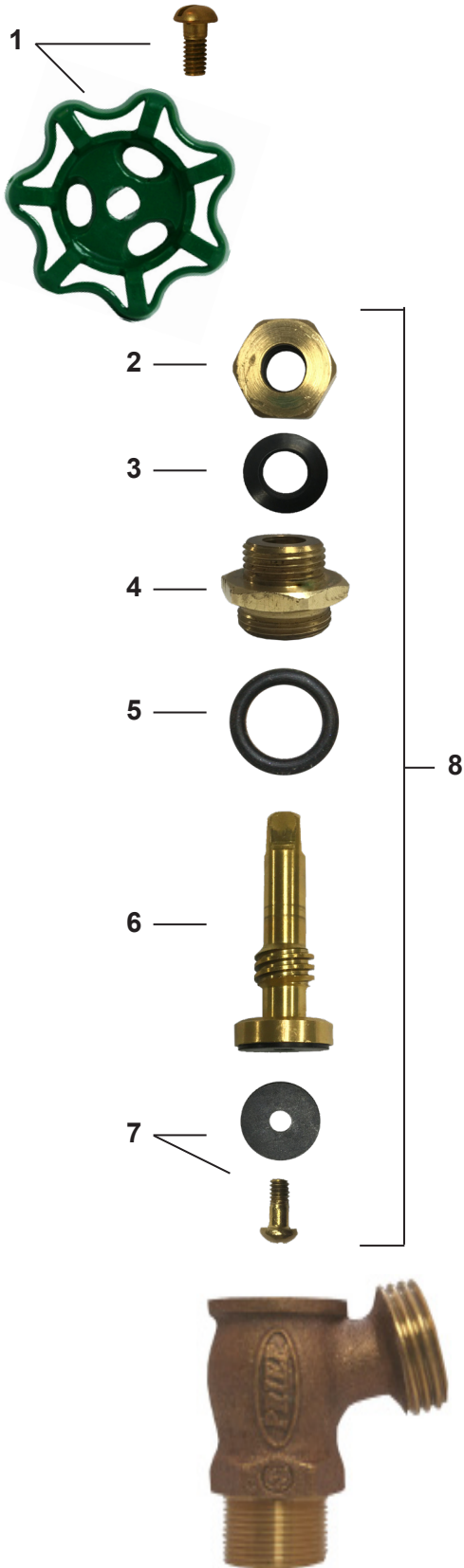
None- Green

B- Blue

R- Red



526 SERIES REPLACEMENT PARTS



ID	Part No.	Description
1	630-0045	Handle and Screw Kit
2	310-3024	Packing Nut
3	336-3006	Packing Only
4	310-3017	Valve Stem Cap
5	936-3003	O-Ring
6	310-3019	Stem Body
7	630-0047	Bibb Washer and Screw Kit
8	231-3101	Stem Assembly Complete
	630-0043	Service Kit for Boiler Drains, Contains: 1, 3, 7