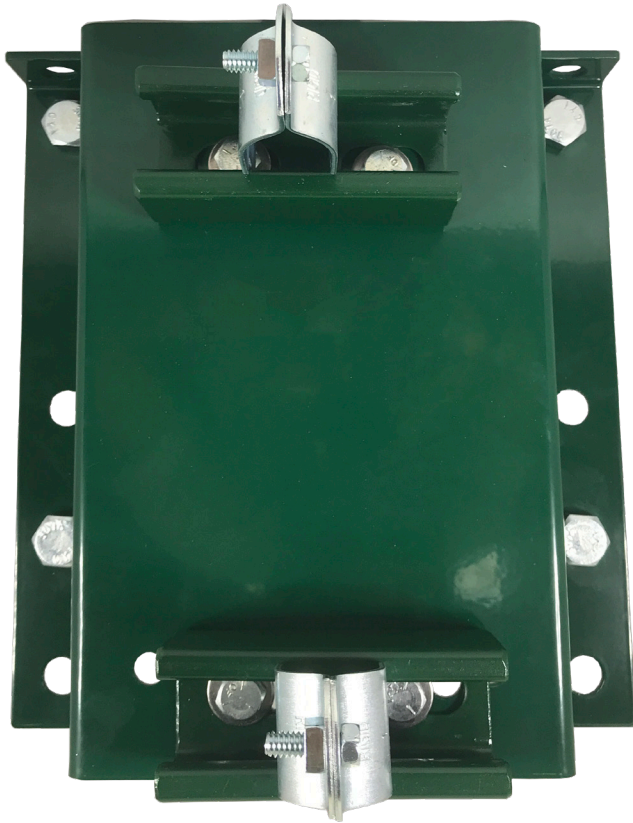




Build With Purpose

P-RMB Universal Mounting Bracket

MasterSpec® 



PRIER's P-RMB Universal Roof Hydrant Mounting Bracket provides a secure way to attach any 1" or 2 1/2" pipe to a roof structure, thus providing a simple water source on the roof of a building. PRIER's Mounting Bracket is compatible with any roof hydrant, including PRIER's P-RH1, P-RH2, P-RH3 and P-RH4 Commercial Roof Hydrants.

The Roof Mounting Bracket enables the hydrant to be mounted to any structural frame of a building with rigid support, unlike other brackets which attach to the skin of the building.

This bracket requires only a single penetration point of 1 3/4" or 3 5/8", and can be mounted to concrete, wood, steel, I-beams, truss, perlins or other structural members with standard construction materials (Unistrut, threaded rods, or other).

- **Mounts To Any Roof Structure**
- **Single Hole Penetration**
- **Works w/ Any 1" or 2 1/2" Pipe**
- **Powder Coated Steel Design**

FEATURES

- Mounts to structure beneath roof surface for more secure installation
- Includes 1" and 2 1/2" conduit clamps to secure hydrant to bracket
- Mounts to any roof structural member (truss, I-beam, concrete roof, or other)
- Compatible with PRIER's P-RH1, P-RH2, P-RH3 and P-RH4 roof hydrants
- Single hole penetration of 1 3/4" (P-RH1, P-RH2, P-RH3) or 3 5/8" (P-RH4)
- Single person installation with standard tools
- Bracket can be installed during or after construction of building
- Designed to be installed with standard construction materials (Unistrut, threaded rods, or other)
- Seals with standard roofing materials or rubber flashing products
- Works with any 1" or 2 1/2" pipe
- Powder coated steel design
- Bracket struts are adjustable to accommodate roof angles up to 2/12 pitch or 9°
- Works with any roof hydrant

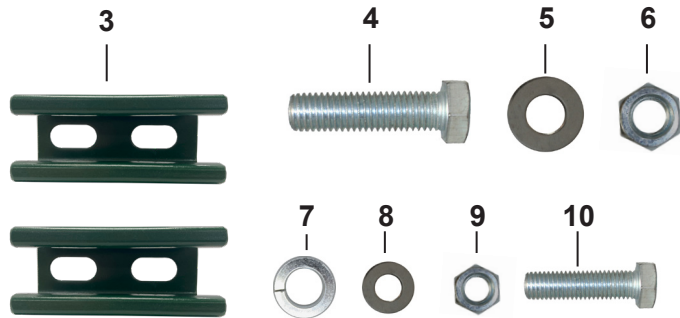
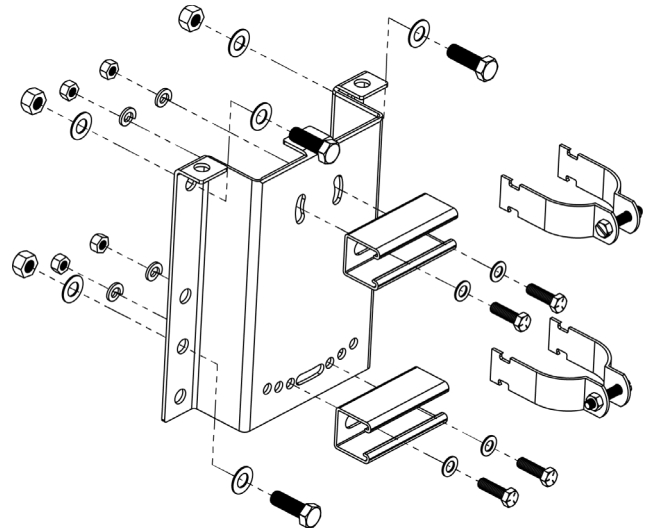
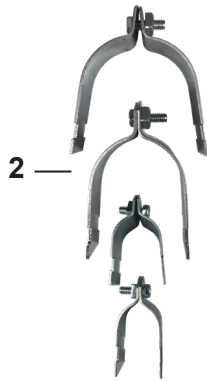
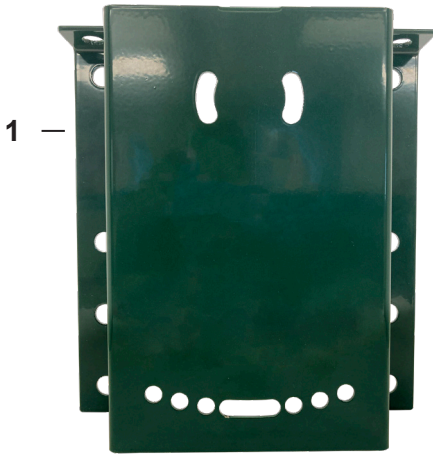
ORDERING

| Part No. | Description |
|----------|-------------------------------|
| P-RMB | Roof Hydrant Mounting Bracket |



Build With Purpose

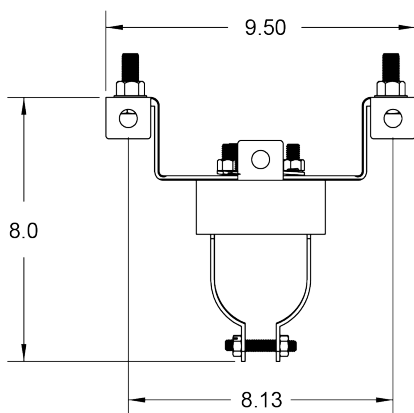
P-RMB REPLACEMENT PARTS AND STEMS



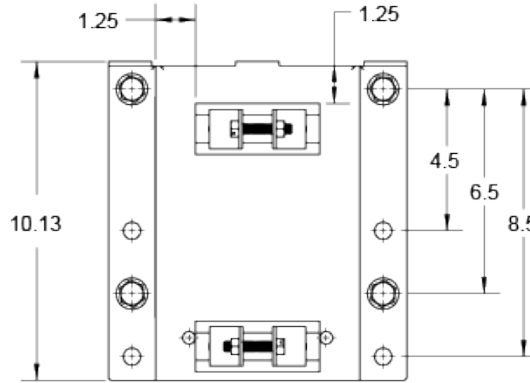
| ID | Part No. | Description |
|----|----------|--|
| 1 | 314-0021 | Mounting Bracket |
| 2 | 399-7002 | 1" Pipe Clamp Assembly for P-RH1, P-RH2, P-RH3 |
| 2 | 399-7003 | 2 1/2" Pipe Clamp Assembly for P-RH4 |
| 3 | 314-7012 | Unistrut Steel Struts |
| 4 | 314-0028 | 1/2" Mounting Bolt |
| 5 | 314-0029 | 1/2" Flat Washer |
| 6 | 314-0030 | 1/2" Mounting Nut |
| 7 | 314-0025 | 3/8" Lock Washer |
| 8 | 324-1003 | 3/8" Flat Washer |
| 9 | 314-0027 | 3/8" Hex Nut |
| 10 | 314-0035 | 3/8" Bolt |

ROUGH-IN DIMENSIONS

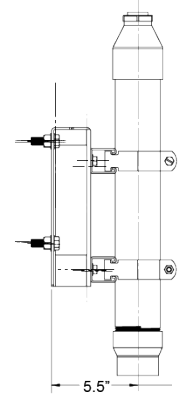
Bottom View



Front View



Side View



SPECS

Furnish and install Model P-RMB Universal Roof Hydrant Mounting Bracket manufactured by PRIER Products. Bracket must be manufactured of heavy gauge powder coated steel. This bracket is to be installed inside the structure and must have a single penetration through the roof. This bracket must allow for adjustment to meet roof angles up to 2/12 pitch and secure pipes either 1" or 2 1/2". It also must connect to I-beams, steel, truss, wood or concrete with standard construction materials. The roof penetration is to be sealed by the roofing contractor in accordance with roofing codes and conditions in their municipality.