



Build With Purpose

Installation, Operation & Maintenance Instructions for the PRIER P-650 Commercial Ground Hydrant

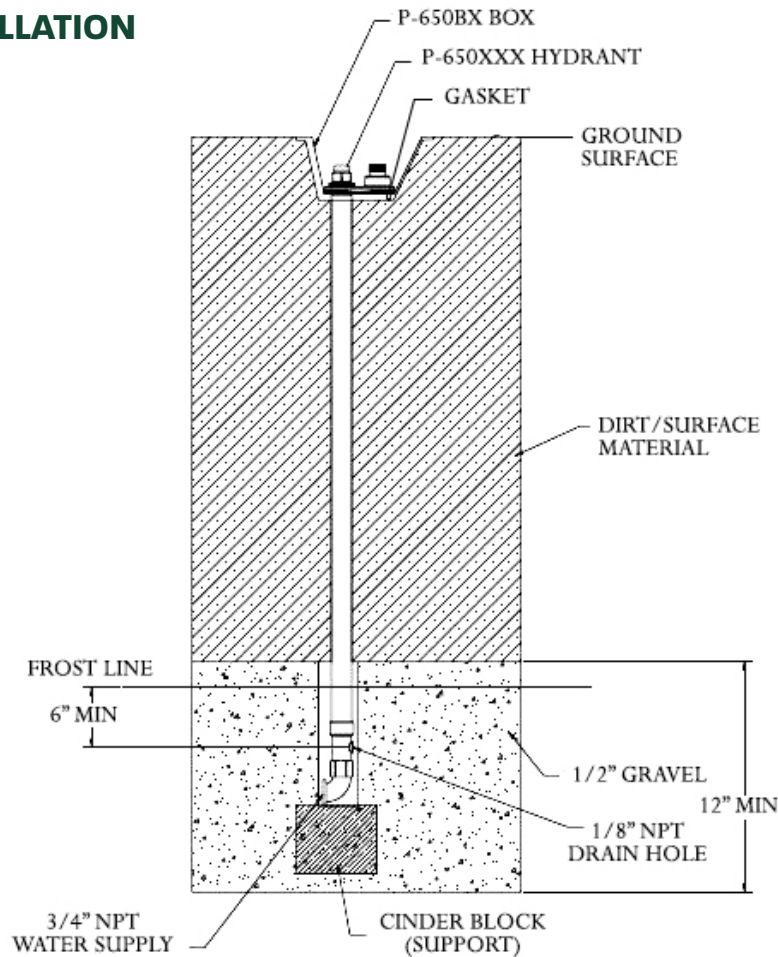
Please leave this sheet for the property homeowner

INSTALLATION

Before installing the P-650 Commercial Ground Hydrant, please make certain the shutoff point of the Ground Hydrant is installed below the frost level to avoid freezing and assure proper drainage.

1. Dig a hole for installation that is 1 foot deeper than the hydrant length (if installing a 3' Hydrant, dig a 4' deep hole).
2. Put a cinder block or large stone at bottom of hole to support the installation of the ground hydrant and supply piping.
3. If using a hydrant box for the installation (P-650BX), install the hydrant through the box BEFORE installing the hydrant to the supply piping. You may install a 90 degree elbow in the drain port and orient it in the down position to aid in maintaining a clear drainage path.
4. After making sure the supply line is flushed of debris and foreign particles, install the ground hydrant to the supply piping. Teflon tape or pipe sealant will need to be used.
5. Prior to burying the hydrant, turn on the supply water to check for leakage and proper operation. Using the provided operating key, turn ON the valve and make sure the valve flows properly and no water is draining from the drain port during operation. Turn OFF the valve and make sure the water in the hydrant drains completely from the drain port.
6. After assuring proper installation, bury the base of the hydrant, 12" minimum in gravel to assure proper drainage. DO NOT USE SAND as this may clog the drain port.
7. After making sure the hydrant is straight, bury the remainder of the hydrant with fill dirt to proper grade height.

P-650 TYPICAL INSTALLATION





Build With Purpose

Installation, Operation & Maintenance Instructions for the PRIER P-650 Commercial Ground Hydrant

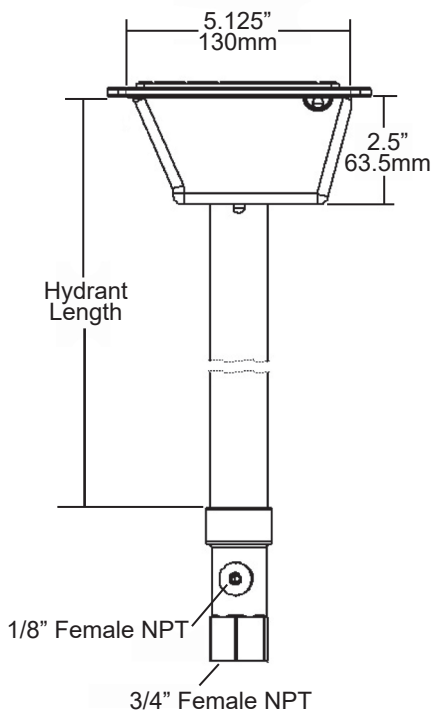
Please leave this sheet for the property homeowner

OPERATION

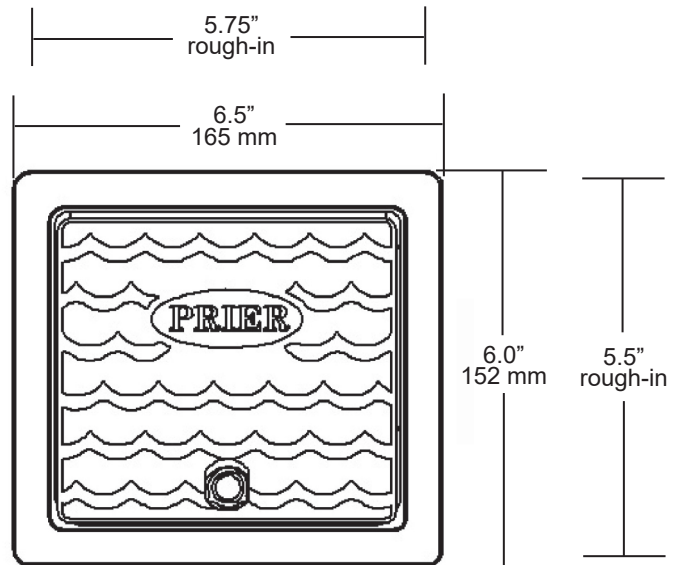
The operation of a PRIER P-650 Hydrant is simple. Turn the valve counterclockwise to flow water. The valve should begin to flow after two full revolutions. Turn the valve clockwise to close and stop flow. Note the valve shuts off below the freeze line and after shutoff will drain into the ground to avoid freezing. Do not overturn when opening or closing the hydrant.

ROUGH-IN DIMENSIONS

Side Hydrant View with Box



Top Box View



MAINTENANCE

The PRIER P-650 Commercial Ground Hydrant requires no scheduled maintenance for long wear life. Replacement parts are available for the P-650 from your local PRIER distributor.

***If you have any questions, DO NOT DIG UP HYDRANT.
Please call PRIER's Customer Service Department at 800-362-9055***