



4515 East 139th Street  
 Grandview, MO 64030  
 (800) 362-9055  
 Fax (800) 362-1463  
 www.PRIER.com

## C-67 Brass Log Lighter Ball Valve

Applications



- AGA Approved Ball Valve with stops
- Allows custom installation of the valve from 1" to 14" from surface
- Ideal for below-the-joist installation
- Brass or Chrome Plated Escutcheon
- For use as Log Lighter Valve or Shutoff for Gas Equipment
- Shipped with two wood screws
- Shipped with Hearth Key

The C-67 AGA Gas Valve is for use on any gas fireplace. Using the included operating rod, the installer can install the valve from 1" to 14" depth, allowing it to be installed "below-the-joist," eliminating fittings and installation time. The C-67 Gas Valve is also used as a shutoff for any gas burning appliance.

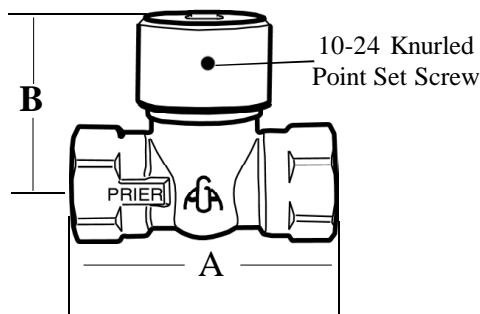
Natural Gas BTU Ratings:

1/2" C-67 Gas Valve: 51,796 BTUH at 7" W.C. Inlet

Ordering

Part No.	Description	Carton Qty	Carton Wt
C-67CP.50	1/2" Extended Stem Log Lighter Valve, Chrome Plated Escutcheon	24	26 Lbs
C-67BR.50	1/2" Extended Stem Log Lighter Valve, Brass Escutcheon	24	26 Lbs
C-67KT-012	Chrome Escutcheon & Screw Kit for C-67 Valve	12	4 Lbs
C-67KT-013	Brass Escutcheon & Screw Kit for C-67 Valve	12	4 Lbs
C-67-007	Hearth Key for C-67 Log Lighter Valve	12	2 Lbs

Dimensions



	A	B
1/2"	2 5/16"	1 5/8"
3/4"	2 9/16"	1 3/4"

