



4515 East 139th Street
 Grandview, MO 64030
 800-362-9055
 Fax 800-362-1463
 www.PRIER.com

C-650 Heavy Commercial Ground Hydrant

Application



- Commercial
- Industrial
- Freezeless
- Self Draining

Prier C-650 Heavy Commercial Ground Hydrant provides a year round source of water to areas subject to freezing temperatures. The hydrant is installed flush to surface, eliminating interference with machinery or pedestrian traffic. The hydrant valve is connected to the supply piping below the freeze line, and is self draining, eliminating the possibility of freezing. Common applications include parks, curb washers or at any structure where a wall hydrant is impractical.

A removable operating key is provided to prevent unauthorized usage of the hydrant. No special installation tools are required.

Features

- Heavy Pattern standard hydrant for use with or without Polished Brass or Nickel Bronze Box
- Natural brass finish
- Heavy duty brass piping, stronger than ordinary copper tubing, with threaded and sealed joints
- Simple, solderless design for years of reliable operation
- Repair can be easily accomplished at ground level
- Solid Non-Ferrous operating rod for long wear life
- Includes Operating Key

Ordering

Part No.	Description	Weight/Ea
C - 650 - 1	1' Bury Heavy Commercial Ground Hydrant	7 Lbs
C - 650 - 2	2' Bury Heavy Commercial Ground Hydrant	8 Lbs
C - 650 - 3	3' Bury Heavy Commercial Ground Hydrant	10 Lbs
C - 650 - 4	4' Bury Heavy Commercial Ground Hydrant	12 Lbs
C - 650 - 5	5' Bury Heavy Commercial Ground Hydrant	14 Lbs
C - 634 B X 1	Nickel Bronze Box for C - 650 Ground Hydrant	6 Lbs
C - 634 B X 2	Polished Brass for C - 650 Ground Hydrant	6 Lbs

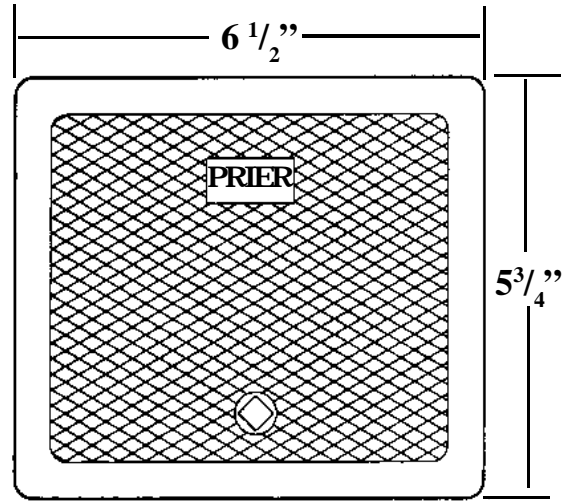
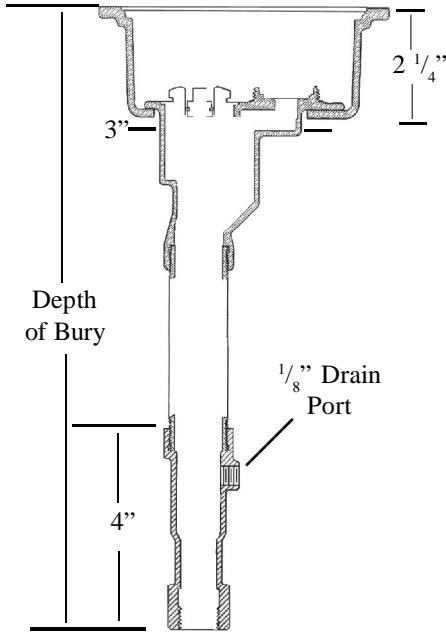
Note: For Installations with Hydrant Box, both Freezeless Hydrant and Box need to be ordered.



4515 East 139th Street
 Grandview, MO 64030
 800-362-9055
 Fax 800-362-1463

C-650

Rough-In Dimensions



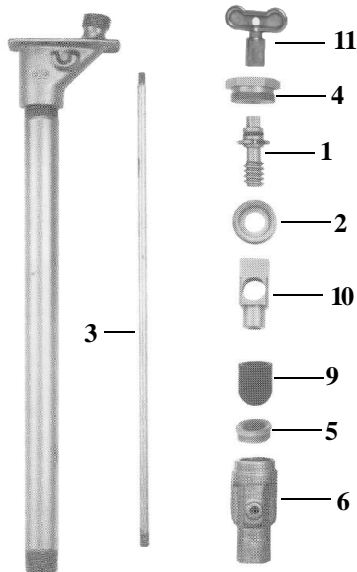
Box View

Specifications

Furnish and install Freezeless Model C-650 Heavy Commercial Keyless Ground Hydrant by Prier Products, Inc. Hydrant shall be installed with a water box. Hydrant box shall be manufactured of solid cast brass with a Polished Brass / Polished Nickel Bronze (Choose one) finish. Access to the water box shall be provided by the same operating key as the Freezeless Hydrant. The Hydrant must be installed flush to surface to allow machinery and pedestrian traffic without damage to Hydrant. Hydrant shaft shall be brass with threaded and sealed connections. Hydrant shall have 3/4" hose connection with freezeless water flow and self-draining functions with brass operating rod. Hydrant insertion depth to be * feet.

* 1' to 6' in 1' increments

Parts



ID	Part No.	Description-Materials
1	392-4005	Drive Screw Assembly-Brass
2	391-4008	Retainer Seal-Nylon
3	Call Prier	Operating Rod-Brass
4	310-4009	Face Nut-Brass
5	391-2018	Seat-Nylon
6	Call Prier	Seat Valve Body-Brass
9	395-6010	Plunger-Butyl with Brass Insert
10	310-4003	Worm Sleeve-Brass
11	C-235-007	Loose Key-Die Cast Aluminum