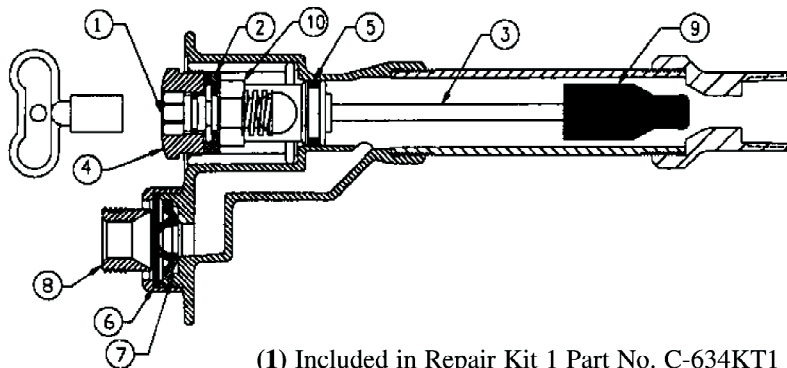




4515 E. 139th Street
 Grandview, MO 64030
 (800) 362-9055
 Fax (800) 362-1463
www.PRIER.com

Parts for Old Style C-634 & C-635 Commercial Hydrants

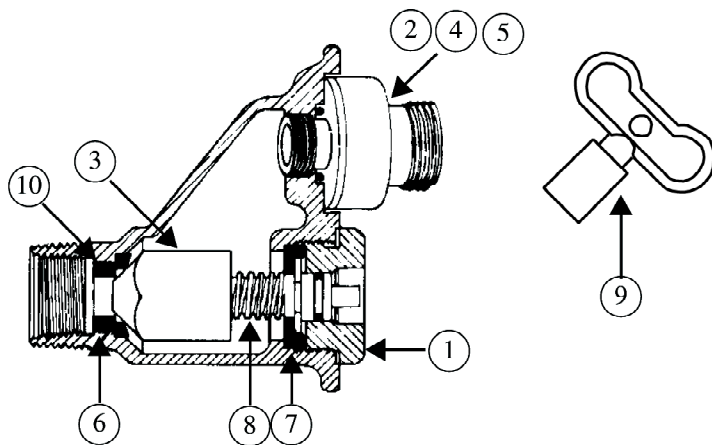
C-634 Series



(1) Included in Repair Kit 1 Part No. C-634KT1
 (2) Included in Repair Kit 2 Part No. C-634KT2

ID	Part No.	Description-Materials
1	392-4005	Drive Screw Assembly-Brass (2)
2	391-4008	Retainer Seal-Nylon (1) (2)
3	Call Prier	Operating Rod-Brass
4	310-4009	Face Nut-Brass (2)
5	340-6005	O-Ring EPDM (1) (2)
6	340-6006	Diverter Diaphragm Silicone (2)
7	340-6007	Diverter Check Spider Acetal (2)
8	310-6008	Hose Piece-Brass (2)
9	395-6009	Plunger-Butyl - Brass Insert (1) (2)
10	310-6010	Drive Sleeve-Brass (2)
11	C-235-007	Loose Key-Die Cast Aluminum
6,7,8	310-6011	Vacuum Breaker Assembly

C-635 Close Coupled Series



ID	Part No.	Description-Materials
1	310-4009	Face Nut-Brass
2	310-6008	Hose Piece-Brass
3	310-6012	Drive Sleeve-Brass
4	340-6006	Diverter Diaphragm-Silicone
5	340-6007	Diverter Check Spider Acetal
6	391-2018	Seat-Nylon
7	391-4008	Retainer Seal-Nylon
8	392-4005	Drive Screw Assy-Brass
9	C-235-007	Operating Key-Aluminum
10	C-635KT-802	Seat Washer Kit, Buna & Stainless Steel