



4515 East 139th Street
 Grandview, MO 64030
 800-362-9055
 Fax 800-362-1463
 www.PRIER.com

C-250 Freezeless Ground Hydrant

Application



- | **Freezeless**
- | **Lockable**
- | **Variable Flow**

The Prier C-250 Freezeless Ground Hydrant provides a year round source of water to areas subject to freezing temperatures. The hydrant valve is connected to the supply piping below the frost line, and since it drains automatically, it is not subject to freezing.

The Prier C-250 is a time tested design. It is available from stock in bury depths from 1' to 5', longer sizes are available upon request.

Features

- Solid, extra thick walled head casting, reduced breakage.
- ³/₄" FPT Inlet Connection
- Solid Brass hose adapter
- Cam type operating lever control provides full variable flow.
- High Quality Steel drawstraps that eliminate side pull of operating rod.
- Pivot Connector has double nut connection, no set screws to rust in place.
- Galvanized outer pipe has no exposed threads, providing simple, in field repair.
- Stainless Steel Operating Rod provides the longest operating life
- Dual Bypass High Flow Valve Body
- One Piece Plunger Design
- Simple repair can be done at ground level.

Ordering

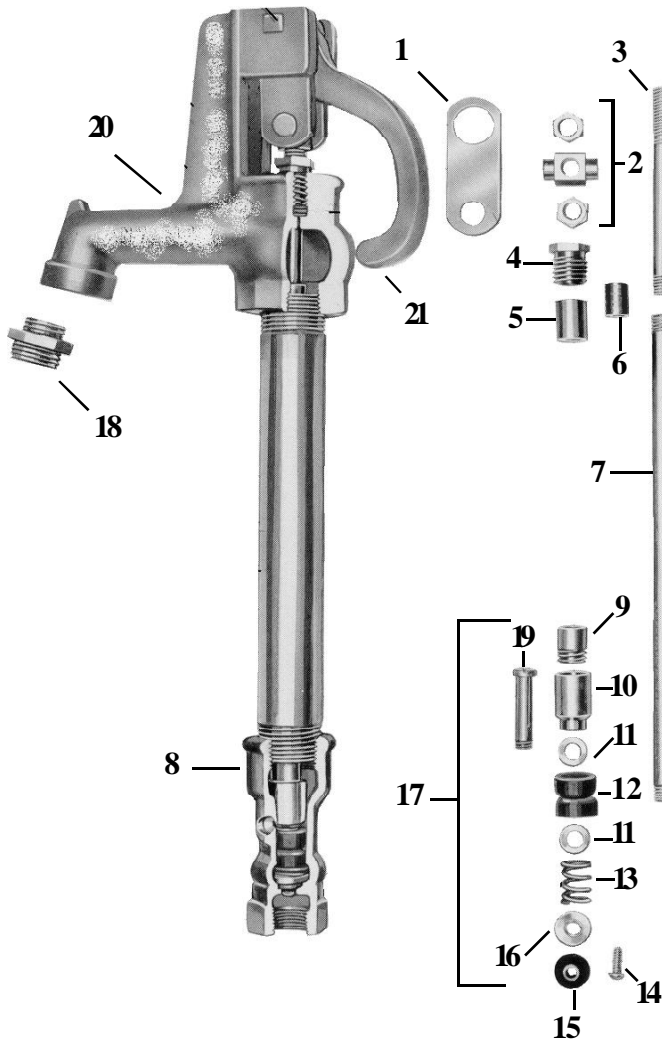
Part No.	Size	Overall Length	Weight/Ea.
C-250-1	1' Bury	46"	13 Lbs
C-250-2	2' Bury	58"	15 Lbs
C-250-3	3' Bury	70"	17 Lbs
C-250-4	4' Bury	82"	19 Lbs
C-250-5	5' Bury	94"	21 Lbs
C-250-6	6' Bury	106"	23 Lbs

C-250



4515 East 139th Street
Grandview, MO 64030
800-362-9055
Fax 800-362-1463

Parts for C-250 Ground Hydrants



ID	Part No.	Description
1	324-1004	Draw Straps-Pair
2	232-0001	Pivot Conector & Nuts
3	314-0002	Stainless Steel Rod
4	310-0010	Packing Nut
5	346-0001	Valve Stem Packing
6	310-0014	Rod Connector
7	314-0003	7/16" Extension Rod
8	310-0011	Valve Body for C-250
9	310-0012	Brass Plunger Bushing for C-250
10	310-0013	Brass Plunger Body for C-250
11	320-0003	Brass Washer-Pair for C-250
12	340-0002	Cup Leathers-Pair for C-250
13	324-1005	Stainless Steel Spring for C-250
14	314-0004	Bibb Washer Retainer Screw
15	346-0002	3/8" L Beveled Bibb Washer
16	320-0004	Brass Threaded Washer for C-250
17	C-250-021	Plunger Assy-Complete for C-250
18	310-0014	Hose Piece for C-240/250
19	310-1015	Brass Plunger Bolt for C-250
20	301-0004	Cast Iron Head for C-250
21	301-0001	Cast Iron Handle for C-250
	C-250-801	Overhaul Kit, includes 1,2,4,5, & 17