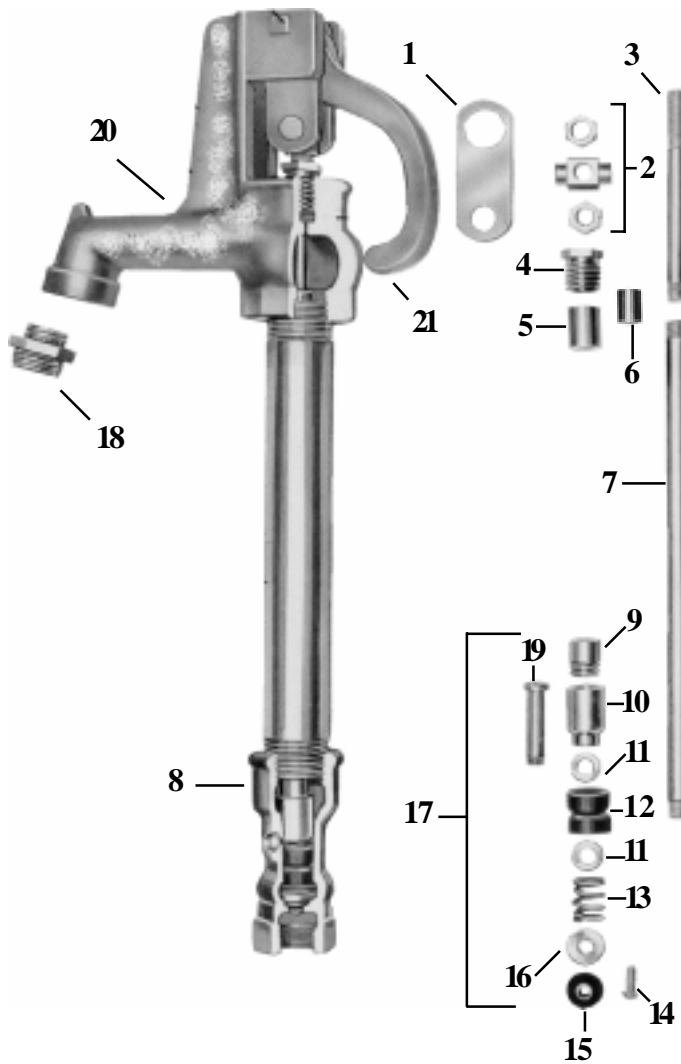




C-250

Parts for C-250 Ground Hydrants



ID	Part No.	Description
1	324-1004	Draw Straps-Pair
2	232-0001	Pivot Connector & Nuts
3	314-0002	Stainless Steel Rod
4	310-0010	Packing Nut
5	346-0001	Valve Stem Packing
6	Contact Prier	Rod Connector
7	314-0003	7/16" Extension Rod
8	310-0011	Valve Body for C-250
9	310-0012	Brass Plunger Bushing for C-250
10	310-0013	Brass Plunger Body for C-250
11	320-0003	Brass Washer-Pair for C-250
12	340-0002	Cup Leathers-Pair for C-250
13	324-1005	Stainless Steel Spring for C-250
14	314-0004	Bibb Washer Retainer Screw
15	346-0002	3/8" L Beveled Bibb Washer
16	320-0004	Brass Threaded Washer
17	C-250-021	Plunger Assembly-Complete
18	310-0014	Hose Thread Adapter
19	310-1015	Brass Plunger Bolt
20	301-0004	Cast Iron Head for C-250
21	301-0001	Cast Iron Handle for C-250
	C-250-801	Overhaul Kit, incl 1,2,4,5,17