



4515 East 139th Street
 Grandview, MO 64030
 800-362-9055
 Fax 800-362-1463
 www.PRIER.com

C-240 Freezeless Ground Hydrant

Application



- | **Freezeless**
- | **Lockable**
- | **Variable Flow**

Prier C-240 Economy Freezeless Ground Hydrant provides a year round source of water to areas subject to freezing temperatures. The hydrant valve is connected to the supply piping below the frost line, and since it drains automatically, it is not subject to freezing.

The Prier C-240 is a time tested design, with many of the quality features of Prier's C-250 premium quality freezeless ground hydrant. It is available from stock in bury depths from 1' to 5', longer sizes are available upon request.

Features

- 3/4" FPT Inlet Connection
- Solid Brass Hose Adapter
- Cam type operating lever control provides full variable flow.
- High Quality Steel drawstraps that eliminate side pull of operating rod.
- Pivot Connector has double nut connection, no set screws to rust in place.
- Galvanized outer pipe has no exposed threads, providing simple, in field repair.
- Stainless Steel Operating Rod provides the longest operating life
- Dual Bypass High Flow Valve Body
- One Piece Plunger Design
- Simple repair can be done at ground level.

Ordering

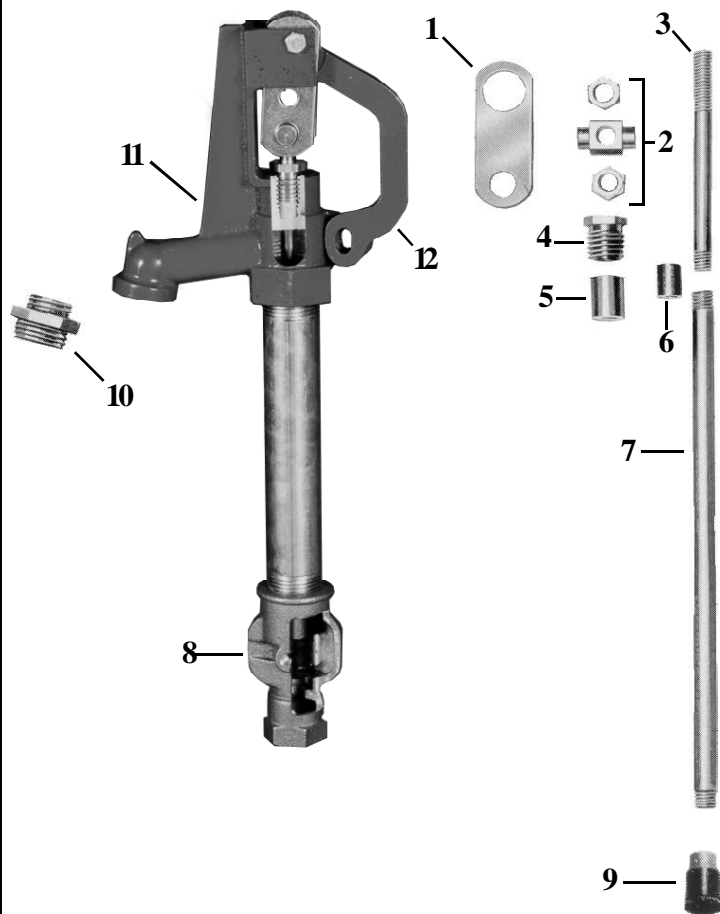
Part No.	Size	Overall Length	Weight/Ea.
C-240-1	1' Bury	45"	11 Lbs
C-240-2	2' Bury	57"	13 Lbs
C-240-3	3' Bury	69"	15 Lbs
C-240-4	4' Bury	81"	17 Lbs
C-240-5	5' Bury	93"	19 Lbs
C-240-6	6' Bury	105"	21 Lbs



4515 East 139th Street
 Grandview, MO 64030
 800-362-9055
 Fax 800-362-1463

C-240

Parts for C-240 Ground Hydrants



ID	Part No.	Description
1	324-1004	Draw Straps-Pair
2	232-0001	Pivot Connector & Nuts
3	314-0002	Stainless Steel Rod
4	310-0010	Packing Nut
5	346-0001	Valve Stem Packing
6	310-0014	Rod Connector
7	314-0003	7/16" Extension Rod
8	300-0027	Valve Body
9	C-240-021	Plunger
10	310-0014	Hose Thread Adapter
11	301-0003	Cast Iron Head
12	301-0002	Cast Iron Handle
	C-240-801	Overhaul Kit, incl 1,2,4,5,8