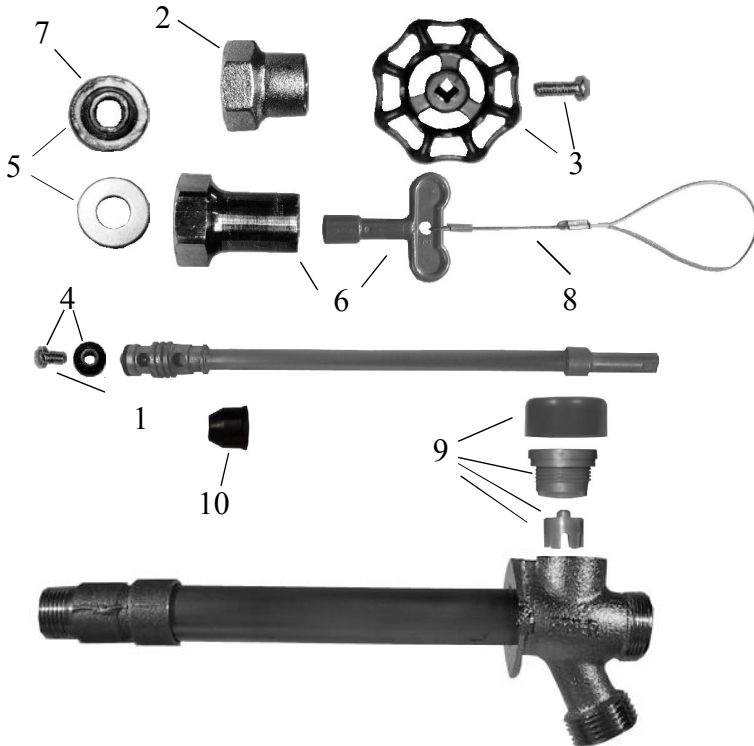




4515 East 139th Street
Grandview, MO 64030
800-362-9055
Fax 800-362-1463

C-144/244

Parts for C-144/244 Freezeless Wall Hydrants



ID	Part No.	Description
1,4	Stem Assembly	See Chart Below
2	300-1008	Valve Stem Cap
3	C-134KT-805	Oval Handle & Screw Kit
4	C-134KT-802	Seat Washer (OO Beveled) Replacement Kit
5	C-134KT-803	Stem Packing Replacement Kit
5,6	C-134KT-804	Loose Key Conversion Kit
7	390-1001	Stem Packing Only
8	C-108KT-808	Oval Style Key on Lanyard
9	C-144KT-806	Vacuum Breaker Replacement Kit
10	336-0001	Backflow Check Valve for C-144
3,4,5,9,10	C-144KT-807	C-144 Overhaul Kit

Replacement Stems for C-144/244 Hydrants

“A” Dimension “A” Dimension is 1/2” for E Style



E Style-Available from approximately 1972-Present

C-144/244 Nominal Stem Length

	CC	4"	6"	8"	10"	12"	14"
E	5 1/16"	7 9/16"	9 9/16"	11 9/16"	13 9/16"	15 9/16"	17 9/16"

Prier Universal Stems are replacement stems for any size from Close Coupled to 14". They require cutting the rod to proper length and soldering the brass stem end to the rod as directed in instructions.

Part No	Style	Description
231-02CC	E	Close Coupled E Style Stem for C-144 5 1/16" OAL
231-0204	E	4" E Style Stem for C-144 7 9/16" OAL
231-0206	E	6" E Style Stem for C-144 9 9/16" OAL
231-0208	E	8" E Style Stem for C-144 11 9/16" OAL
231-0210	E	10" E Style Stem for C-144 13 9/16" OAL
231-0212	E	12" E Style Stem for C-144 15 9/16" OAL
231-0214	E	14" E Style Stem for C-144 17 9/16" OAL
231-0218	E	18" E Style Stem for C-144 21 9/16" OAL
231-0224	E	24" E Style Stem for C-144 27 9/16" OAL
231-02US	E	Universal Stem for E Style C-144