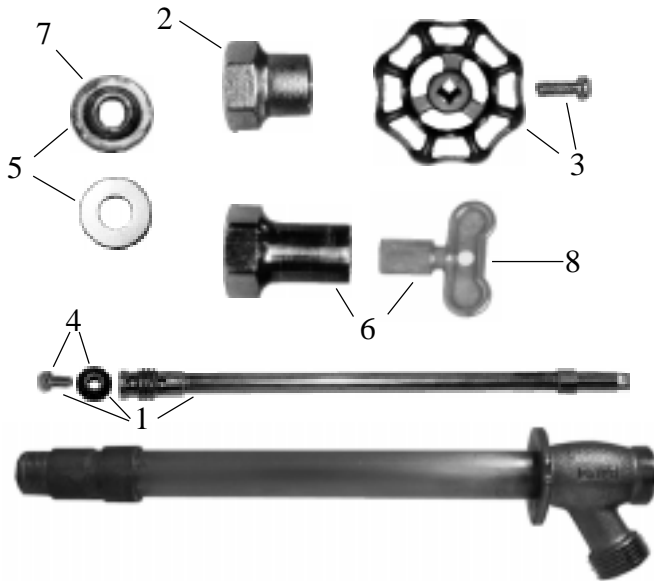




13907 Century Lane  
 Grandview, MO 64030  
 800-362-9055  
 Fax 800-362-1463

# C-134/234

## Parts for C-134/234 Freezeless Wall Hydrants



ID	Part No.	Description
1,4	Stem Assembly	See Chart Below
2	300-1008	Valve Stem Cap
3	C-134KT-805	Oval Style Handle & Screw Kit
4	C-134KT-802	Seat Washer (OO Beveled) Replacement Kit
5	C-134KT-803	Stem Packing Replacement Kit
5,6	C-134KT-804	Loose Key Conversion Kit
7	390-1001	Packing Only
8	325-0001	Oval Style Loose Key Only
3,4,5	C-134KT-807	Overhaul Kit for post 1972 hydrants
3,4,5	C-134KT-899	Overhaul Kit for pre 1972 hydrants

## Replacement Stems for C-134/234 Hydrants

“A” Dimension “A” Dimension is:  $\frac{9}{16}$ ” for B, C & D Styles  
 $\frac{1}{2}$ ” for E Style



- A Style**-Obsolete, available from approximately 1945-1954
- B Style**-Available from approximately 1954-1961
- C Style**-Available from approximately 1961-1963
- D Style**-Available from approximately 1963-1972
- E Style**-Available from approximately 1972-Present

### C-134 Nominal Stem Length

	CC	4"	6"	8"	10"	12"	14"
<b>B</b>	n/a	8 $\frac{1}{16}$ "	10 $\frac{1}{16}$ "	12 $\frac{1}{16}$ "	14 $\frac{1}{16}$ "	16 $\frac{1}{16}$ "	18 $\frac{1}{16}$ "
<b>C</b>	n/a	7 $\frac{1}{16}$ "	9 $\frac{1}{16}$ "	11 $\frac{1}{16}$ "	13 $\frac{1}{16}$ "	15 $\frac{1}{16}$ "	17 $\frac{1}{16}$ "
<b>D</b>	n/a	7 $\frac{5}{8}$ "	9 $\frac{5}{8}$ "	11 $\frac{5}{8}$ "	13 $\frac{5}{8}$ "	15 $\frac{5}{8}$ "	17 $\frac{5}{8}$ "
<b>E</b>	5 $\frac{1}{16}$ "	7 $\frac{9}{16}$ "	9 $\frac{9}{16}$ "	11 $\frac{9}{16}$ "	13 $\frac{9}{16}$ "	15 $\frac{9}{16}$ "	17 $\frac{9}{16}$ "

Prier Universal Stems are replacement stems for any size from Close Coupled to 14". They require cutting the rod to proper length and soldering the brass stem end to the rod as directed in instructions.

Part No.	Style	Description	Part No.	Style	Description
C-134BS04	B	4" B Style Stem for C-134 8 $\frac{1}{16}$ " OAL	C-134DS06	D	6" D Style Stem for C-134 9 $\frac{5}{8}$ " OAL
C-134BS06	B	6" B Style Stem for C-134 10 $\frac{1}{16}$ " OAL	C-134DS08	D	8" D Style Stem for C-134 11 $\frac{5}{8}$ " OAL
C-134BS08	B	8" B Style Stem for C-134 12 $\frac{1}{16}$ " OAL	C-134DS10	D	10" D Style Stem for C-134 13 $\frac{5}{8}$ " OAL
C-134BS10	B	10" B Style Stem for C-134 14 $\frac{1}{16}$ " OAL	C-134DS12	D	12" D Style Stem for C-134 15 $\frac{5}{8}$ " OAL
C-134BS12	B	12" B Style Stem for C-134 16 $\frac{1}{16}$ " OAL	C-134DS14	D	14" D Style Stem for C-134 17 $\frac{5}{8}$ " OAL
C-134BS14	B	14" B Style Stem for C-134 18 $\frac{1}{16}$ " OAL	231-01CC	E	CC E Style Stem for C-134 5 $\frac{1}{16}$ " OAL
C-134CS04	C	4" C Style Stem for C-134 7 $\frac{1}{16}$ " OAL	231-0104	E	4" E Style Stem for C-134 7 $\frac{9}{16}$ " OAL
C-134CS06	C	6" C Style Stem for C-134 9 $\frac{1}{16}$ " OAL	231-0106	E	6" E Style Stem for C-134 9 $\frac{9}{16}$ " OAL
C-134CS08	C	8" C Style Stem for C-134 11 $\frac{1}{16}$ " OAL	231-0108	E	8" E Style Stem for C-134 11 $\frac{9}{16}$ " OAL
C-134CS10	C	10" C Style Stem for C-134 13 $\frac{1}{16}$ " OAL	231-0110	E	10" E Style Stem for C-134 13 $\frac{9}{16}$ " OAL
C-134CS12	C	12" C Style Stem for C-134 15 $\frac{1}{16}$ " OAL	231-0112	E	12" E Style Stem for C-134 15 $\frac{9}{16}$ " OAL
C-134CS14	C	14" C Style Stem for C-134 17 $\frac{1}{16}$ " OAL	231-0114	E	14" E Style Stem for C-134 17 $\frac{9}{16}$ " OAL
C-134US	B,C,D	Universal Stem for B, C, D Styles	231-01US	E	Universal Stem for E Style
C-134DS04	D	4" D Style Stem for C-134 7 $\frac{5}{8}$ " OAL			