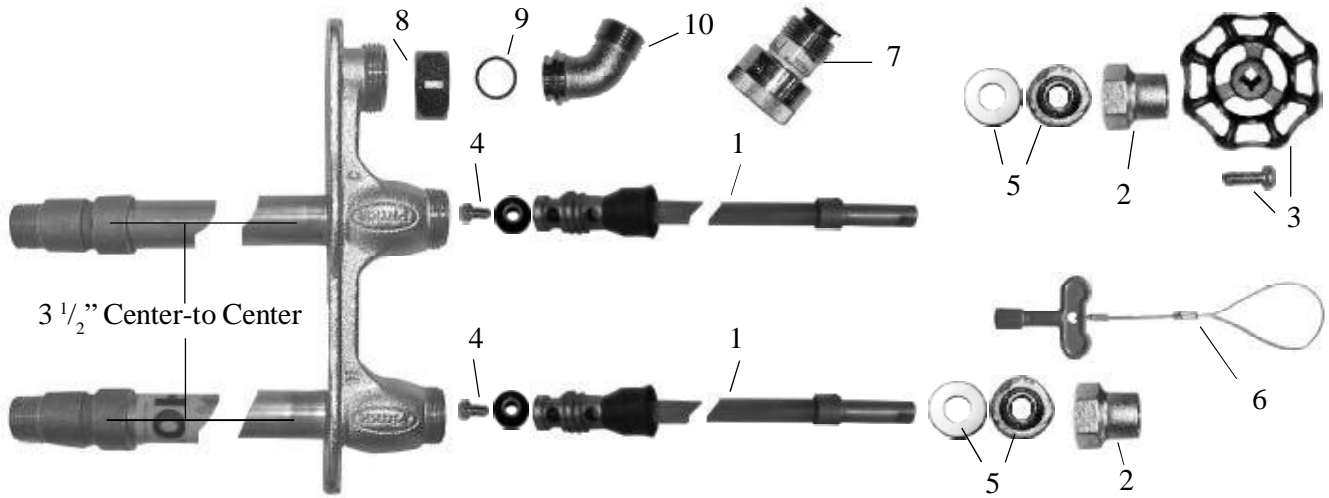




4515 East 139th Street
 Grandview, MO 64030
 800-362-9055
 Fax 800-362-1463

C-108/208

Parts for C-108/208 Hot & Cold Freezeless Wall Hydrants



ID	Part No.	Description	ID	Part No.	Description
1,4	Stem Assembly	See Chart Below	6	C-108KT-808	Operating Key on Lanyard
2	300-1008	Valve Stem Cap	7	P-003CP	Replacement Vacuum Breaker
3	C-134KT-805	Oval Style Handle & Screw Kit	8	300-0030	Hose Thread Nut
4	C-134KT-802	Seat Washer & Screw Kit	9	300-0029	Hose Thread Adapter
5	C-134KT-803	Stem Packing Replacement Kit	10	336-0005	O-Ring for Hose Thread Ad.

Replacement Stems for C-108/208 Hydrants



C-108/208 Nominal Stem Length

	CC	4"	6"	8"	10"	12"	14"
E	5 1/16"	7 9/16"	9 9/16"	11 9/16"	13 9/16"	15 9/16"	17 9/16"

Prier Universal Stems are replacement stems for any size from Close Coupled to 14". They require cutting the rod to proper length and soldering the brass stem end to the rod as directed in

Part No	Style	Description
231-02CC	E	Close Coupled E Style Stem for C-144 5 1/16" OAL
231-0204	E	4" E Style Stem for C-144 7 9/16" OAL
231-0206	E	6" E Style Stem for C-144 9 9/16" OAL
231-0208	E	8" E Style Stem for C-144 11 9/16" OAL
231-0210	E	10" E Style Stem for C-144 13 9/16" OAL
231-0212	E	12" E Style Stem for C-144 15 9/16" OAL
231-0214	E	14" E Style Stem for C-144 17 9/16" OAL
231-0218	E	18" E Style Stem for C-144 21 9/16" OAL
231-0224	E	24" E Style Stem for C-144 27 9/16" OAL
231-02US	E	Universal Stem for E Style C-144