



4515 East 139th Street
 Grandview, MO 64030
 (800) 362-9055
 Fax (800) 362-1463
www.PRIER.com

Straight Pattern Urinal Flush Valve

Mansfield Style 190 Series

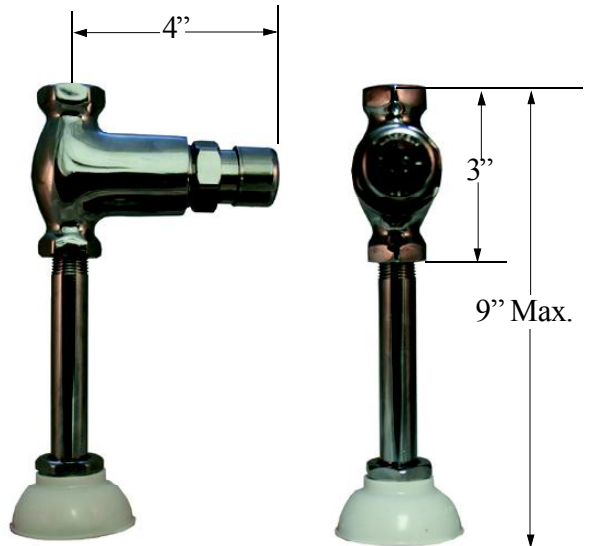


Features

The 190 Urinal Valve is the industry's finest. It is efficient, dependable, quiet and versatile. With its automatic metering design and balanced cartridge assembly, it operates equally well at high or low pressures. The push button operation resists damage and vandalism.

The 190 features a casted brass body with triple chrome plating for long lasting finish. Each valve is water tested to assure proper operation once installed.

Rough-in Dimensions



Ordering

190-0

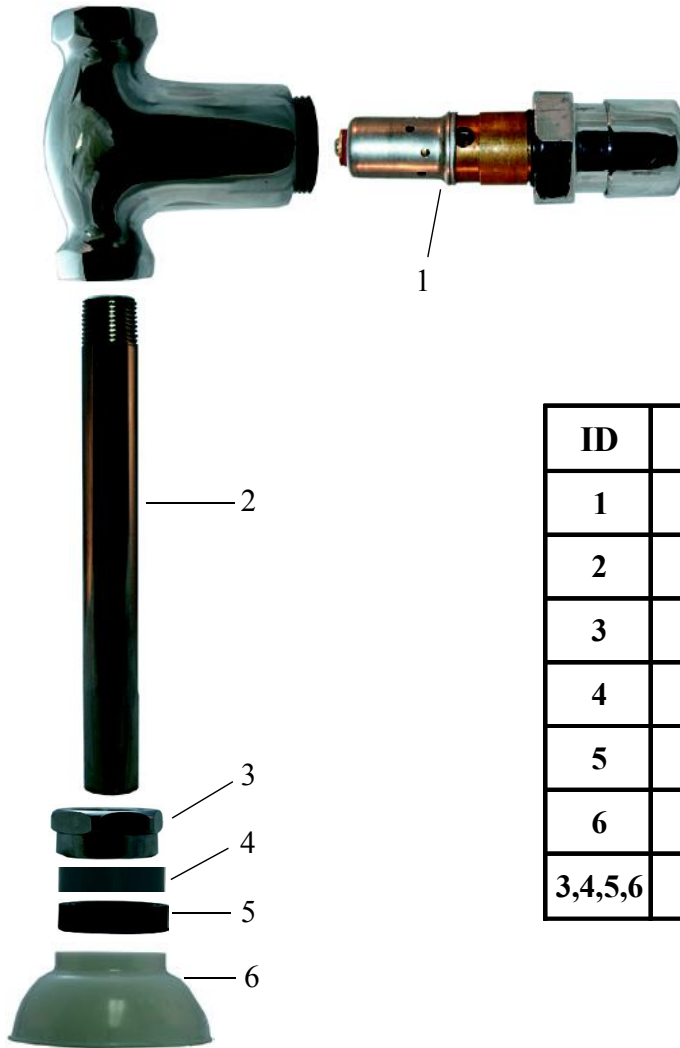
1/2" FNPT Inlet x 3/8" FNPT Outlet



4515 East 139th Street
Grandview, MO 64030
800-362-9055
Fax 800-362-1463

190-0

Parts for 190-0 Push Button Urinal Flush Valves



ID	Part No.	Description
1	630-5043	Replacement Cartridge Assembly
2	720-3002	Chrome Plated Riser Tube
3	710-3016	Chrome Plated Brass Spud Nut
4	920-3002	Spud Washer, Brass
5	636-3004	Spud Gasket, Buna
6	737-3009	Scutum, Polypropolene
3,4,5,6	190-KT1	Scutum Assembly