



4515 East 139th Street
 Grandview, MO 64030
 (800) 362-9055
 Fax (800) 362-1463
 www.PRIER.com

P-164/264 Series Freezeless Wall Hydrant

Application

Quarter Turn with Soft Grip Handle

P-264 Loose Key Design



- Residential
- Freezeless
- Anti-Siphon
- Backflow Check Valve



PRIER P-164 provides a year round source of water to areas of structures that are subject to freezing temperatures. The hydrant valve is connected to the supply piping in the heated portion of the structure, eliminating the possibility of freezing. The P-164 has the added benefit of an easy operation quarter turn that features a proven compression type seal. Additionally, the P-164 features a soft grip operating handle for easy operation in wet conditions and cold weather.

Ordering the P-264 gives you the same style hydrant but with a vandal proof extended lockshield and operating key. It is available from stock in lengths from close coupled to 24", longer sizes are available on request.

Features

- ASSE 1019 and C-UPC approved
- Quarter-turn soft-grip coated cast aluminum handle
- Anti-siphon vacuum breaker with backflow check valve
- Aluminum vacuum breaker cap with increased durability
- Integral cast flange with built-in drainage pitch
- Enclosed screw holes easily secure mounting screws
- Solid brass body, valve stem cap, seat and stem ends
- Satin nickel plated body maintains attractive finish
- Stainless steel seat washer screw and handle screw
- Durable ACME threads secure stem at seat end
- Lock shield cap for stronger valve design
- AFG teflon with graphite packing for easy maintenance
- Standard "OO" size seat washer
- Spout aligning mark
- Slim seat inlet for easier installation

Inlet Styles



Ordering

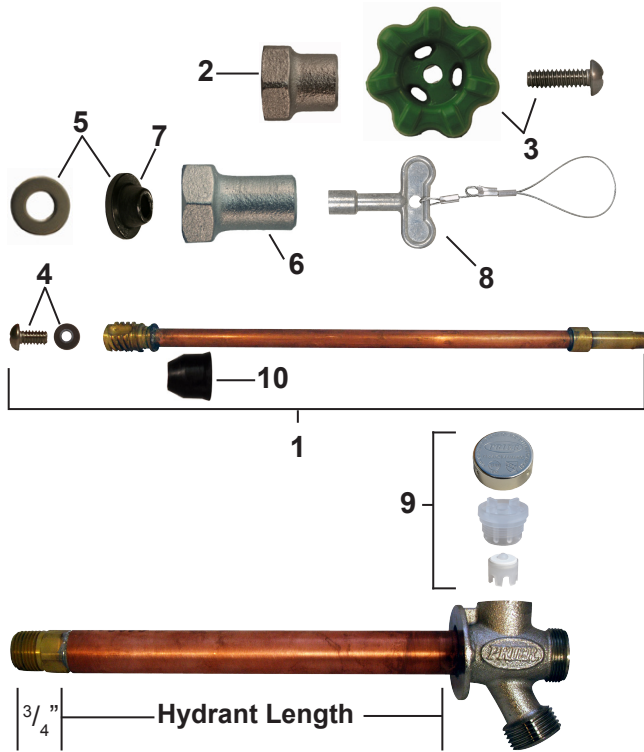
P-164D10

<p>Operator 1- Handle Operated 2- Vandal Proof Lockshield</p>	<p>Inlet D- 1/2" MPT x 1/2" SWT F- 3/4" MPT x 3/4" SWT S- 1/2" SWT x 3/4" Push-On T- 3/4" MIP x 1/2" FIP W- 1/2" Wirsbo® PEX X- 1/2" Crimp PEX FX- 3/4" Crimp PEX FW- 3/4" Wirsbo® PEX</p>	<p>Length CC- Close Coupled 04- 4" Insertion 06- 6" Insertion 08- 8" Insertion 10- 10" Insertion 12- 12" Insertion 14- 14" Insertion 16- 16" Insertion 18- 18" Insertion 20- 20" Insertion 22- 22" Insertion 24- 24" Insertion XX- Special Size</p>
--	---	---



4515 East 139th Street
 Grandview, MO 64030
 (800) 362-9055
 Fax (800) 362-1463
 www.PRIER.com

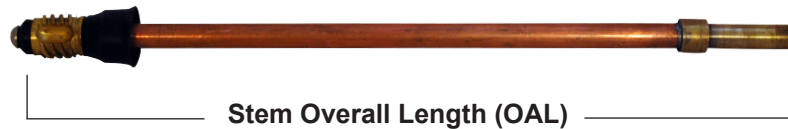
Replacement Parts



ID	Part No.	Description
1	See Below	Stem Assembly, Contains: 1, 4, 10
2	300-1008	Valve Stem Cap
3	P-164KT-805	Oval Handle and Screw Kit
4	C-134KT-802	Seat Washer Replacement Kit (00 Beveled)
5	C-134KT-803	Stem Packing Replacement Kit
6	310-1015	Valve Stem Cap for Loose Key
7	390-1001	Stem Packing Only
8	C-108KT-808	Oval Style Key on Lanyard
9	C-144KT-806	Universal Vacuum Breaker Replacement Kit
10	336-0002	Backflow Check Valve for P-164
	C-134KT-804	Loose Key Conversion Kit Contains: 5,6,8
	P-164KT-807	P-164 Overhaul Kit Contains: 3, 4, 5, 9, 10

*The C-144KT-806 Universal Vacuum Breaker Kit fits all current and past PRIER and Mansfield style residential hydrants.

Replacement Stems



H Style Manufactured April 2013 - Present

Part No.	Style	Description	Stem Length
P-231-15CC	H	Close Coupled Stem for P-164 Hydrant	4 1/2" OAL
P-231-1504	H	Stem for 4" P-164 Hydrant	7" OAL
P-231-1506	H	Stem for 6" P-164 Hydrant	9" OAL
P-231-1508	H	Stem for 8" P-164 Hydrant	11" OAL
P-231-1510	H	Stem for 10" P-164 Hydrant	13" OAL
P-231-1512	H	Stem for 12" P-164 Hydrant	15" OAL
P-231-1514	H	Stem for 14" P-164 Hydrant	17" OAL
P-231-1516	H	Stem for 16" P-164 Hydrant	19" OAL
P-231-1518	H	Stem for 18" P-164 Hydrant	21" OAL
P-231-1520	H	Stem for 20" P-164 Hydrant	23" OAL
P-231-1522	H	Stem for 22" P-164 Hydrant	25" OAL
P-231-1524	H	Stem for 24" P-164 Hydrant	27" OAL
P-231-15US	H	*Universal Replacement Stem for P-164 Hydrant	Up to 17" OAL

For the **old style P-164 Series wall hydrant stems, see P-164 Series retired style spec sheet at www.PRIER.com. PRIER universal stems are replacement stems for any size from close coupled to 14." They require cutting the rod to proper length and soldering the brass stem end to the rod as directed in instructions.