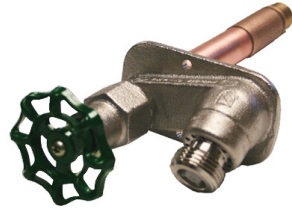


OLD STYLE
Manufactured until 2007



4515 East 139th Street
 Grandview, MO 64030
 (800) 362-9055
 Fax (800) 362-1463
 www.PRIER.com

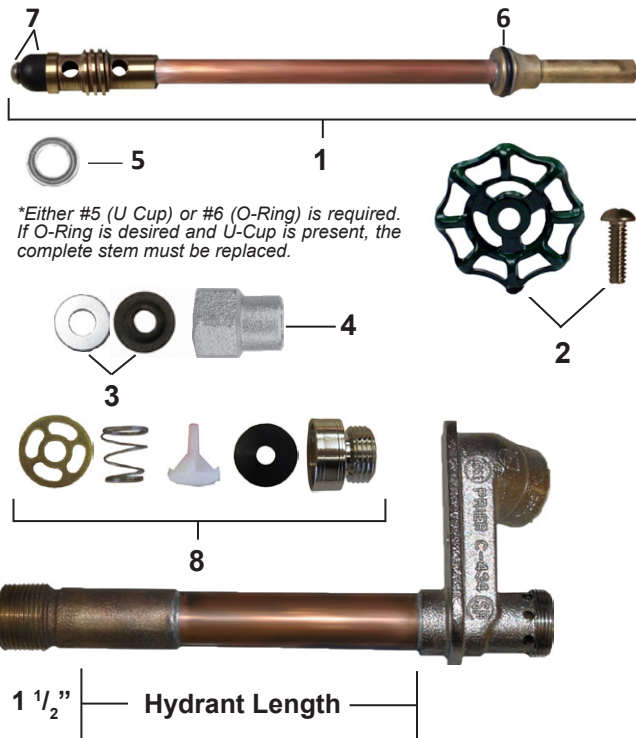
C-434 Heavy Residential Wall Hydrant



- Freezeless
- Anti-Siphon
- Double Check Valve



Replacement Parts and Stems



**Either #5 (U Cup) or #6 (O-Ring) is required. If O-Ring is desired and U-Cup is present, the complete stem must be replaced.*

ID	Part No.	Description
1	See Below	Stem Assembly, Contains: 1, 7, 6
2	C-134KT-805	Operating Handle and Screw Kit
3	C-134KT-803	Stem Packing Kit
4	300-1011	Valve Stem Cap
5	Not Available	U-Cup Drain Seal
6	336-0001	O-Ring Drain Seal
7	C-434KT-802	Seat Washer Kit
8	C-434KT-806	Vacuum Breaker Kit
	C-434KT-807	Overhaul Kit, Contains: 2, 3, 6, 7, 8



Part No.	Description	Stem Length
P-231-03CC	Close Coupled Stem for C-434/C-534 Hydrant	4 ⁹ / ₁₆ " OAL
P-231-0304	Stem for 4" C-434/C-534 Hydrant	7 ¹ / ₁₆ " OAL
P-231-0306	Stem for 6" C-434/C-534 Hydrant	9 ¹ / ₁₆ " OAL
P-231-0308	Stem for 8" C-434/C-534 Hydrant	11 ¹ / ₁₆ " OAL
P-231-0310	Stem for 10" C-434/C-534 Hydrant	13 ¹ / ₁₆ " OAL
P-231-0312	Stem for 12" C-434/C-534 Hydrant	15 ¹ / ₁₆ " OAL
P-231-0314	Stem for 14" C-434/C-534 Hydrant	17 ¹ / ₁₆ " OAL
P-231-0318	Stem for 18" C-434/C-534 Hydrant	21 ¹ / ₁₆ " OAL
P-231-0324	Stem for 24" C-434/C-534 Hydrant	27 ¹ / ₁₆ " OAL