



SUBMITTAL FORM P-623 & P-628 Narrow Wall Hydrant

JOB NAME _____

JOB LOCATION _____

PART NO# _____

ARCHITECT _____

ENGINEER _____

CONTRACTOR _____



FEATURES

- ASSE 1052 double check, UPC and cUPC listed & labeled
- Narrow Wall Installation-valve, piping & box fit inside standard 4" wall
- Integral screwdriver stops for simple future maintenance
- High flow rate, 8 gallons per minute at 25 PSI differential
- Hydrant box is adjustable for box depth and orientation

MasterSpec®



Certifications

- ASSE 1052
- NSF 372
- C-UPC

PART NUMBER

Wall Hydrant with Box

P-623

-CL

Single Temperature
3- Single Temperature Valve
with Stainless Steel Box

Dual Temperature
8- Hot & Cold Valve with
Stainless Steel Box

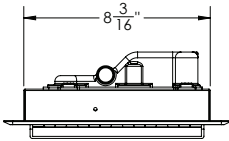
Cylinder Key Lock - Optional
Add -CL to order cylinder key lock



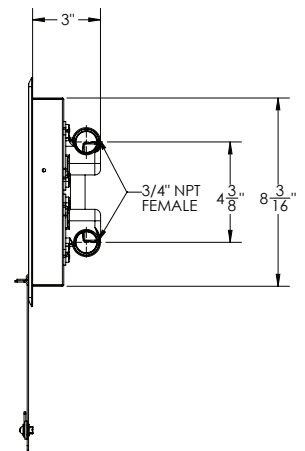
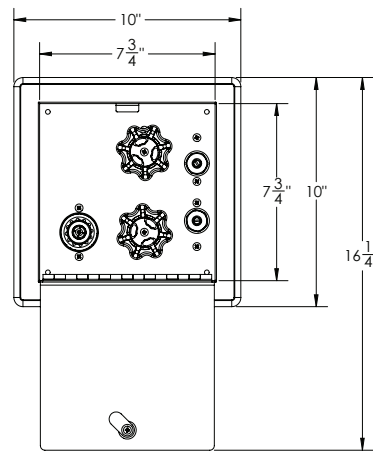
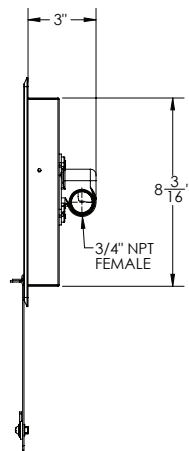
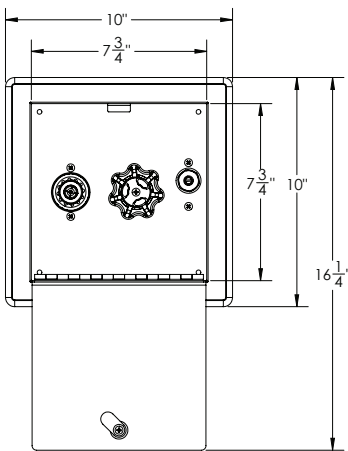
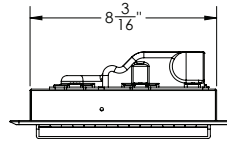
SUBMITTAL FORM P-623 & P-628 Narrow Wall Hydrant

■ DIMENSIONS

P-623



P-628



■ SPECIFICATIONS

Furnish and install model P-623 Single Temperature Narrow Wall Hydrant or P-628 Hot & Cold Narrow Wall Hydrant (choose one) manufactured by PRIER Products, Inc. Inlet connections shall be $\frac{3}{4}$ " FPT. Hydrant flow shall be a minimum of 8 GPM at 25 PSI differential and activated with operating handle(s), with an option for loose-key operation. Hydrant shall incorporate screwdriver shutoffs for incoming water and be maintainable without shutting down building water. Hydrant shall be serviceable from the front of the valve. Hydrant shall be approved and listed to ASSE 1052, ASSE NSF 372 and cUPC Standards. Valve box shall be stainless steel with a minimum thickness of 18 gauge with a hinged cover. Hydrant box cover should be adjustable for both depth and orientation for ease of installation. Installed depth of the hydrant and box should be no more than $3 \frac{1}{8}$ ".