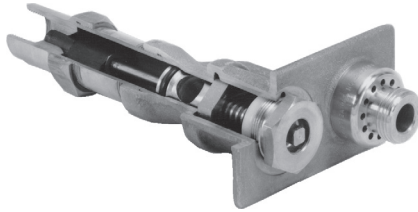


OLD STYLE
Manufactured until 2007



4515 East 139th Street
 Grandview, MO 64030
 (800) 362-9055
 Fax (800) 362-1463
 www.PRIER.com

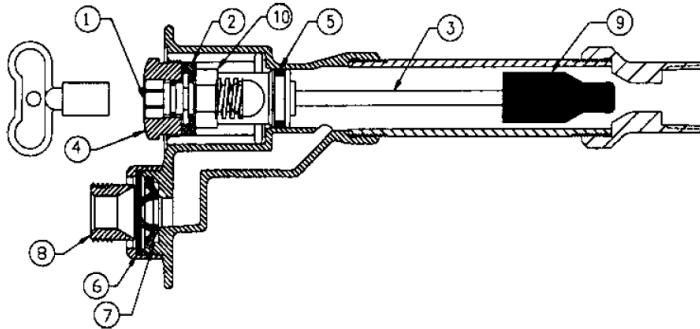
C-634 Heavy Commercial Wall Hydrant



- **Freezless**
- **Anti-Siphon**
- **Backflow Check Valve**



Replacement Parts and Stems



| ID | Part No. | Description |
|----|------------|--|
| 1 | 392-4005 | Drive Screw Assembly (Brass) |
| 2 | 391-4008 | Retainer Seal (Nylon) |
| 3 | Call PRIER | Operating Rod (Brass) |
| 4 | 310-4009 | Face Nut (Brass) |
| 5 | 340-6005 | O-Ring (EPDM) |
| 6 | 346-6001 | Diverter Diaphragm (Silicone) |
| 7 | 337-6001 | Check Spider |
| 8 | 310-6008 | Hose Piece (Brass) |
| 9 | 395-6009 | Plunger (Butyl, Brass Insert) |
| *9 | 231-6000 | Cartridge with Plunger |
| 10 | 310-6010 | Drive Sleeve (Brass) |
| 11 | C-235-007 | Loose Key on Lanyard (Die Cast Aluminum) |
| | 231-6011 | Vacuum Breaker Assembly, Contains: 6, 7, 8 |
| | C-634KT1 | C-634 Repair Kit, Contains: 2, 5, 9 |
| | C-634KT2 | C-634 Repair Kit, Contains: 1, 2, 4, 5, 6, 7, 8, 9, 10 |

*Old style C-634, 14" or longer models

C-634-Old Style-E