



# A-110 Series Cast Iron Shower Drain



With P-315 Brass Strainer

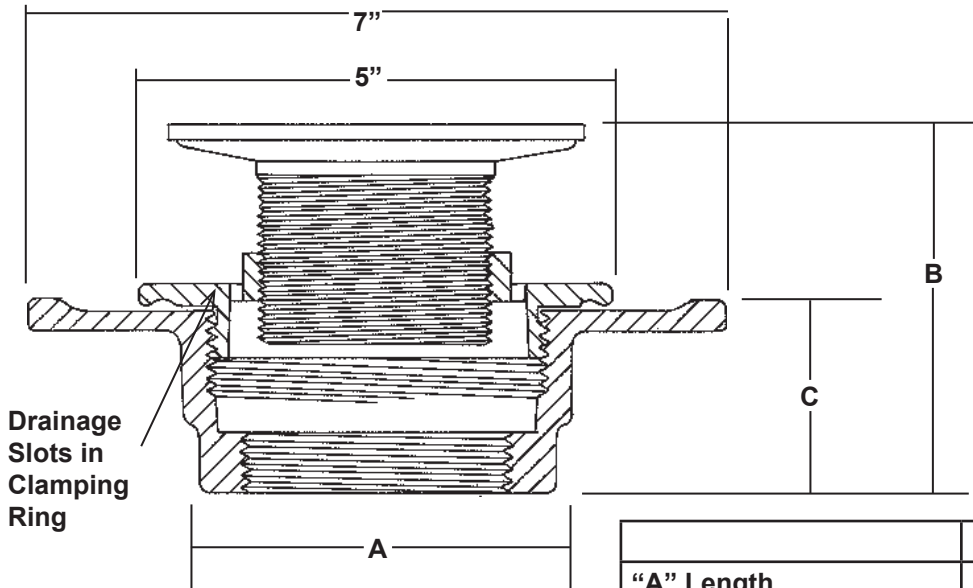
- Cast Iron Body
- 4 1/2" Cast Brass Strainer
- Threaded Cast Iron Clamping Ring
- Available with 2" FPT or 2" Inside Caulk Inlet
- Polished Brass or Chrome Plated finish

## ORDERING

A-110CL-012

↓ Inlet  
 CL- 2" Caulk Type  
 FE- 2" Female Pipe Thread  
 → Strainer  
 012- Chrome Plated Brass  
 013- Polished Brass

## ROUGH-IN DIMENSIONS



	2" FPT Inlet	2" Caulk Inlet
"A" Length	2 7/8"	3 5/8"
"B" Maximum Length	4 5/16"	4 1/2"
"B" Minimum Length	3"	3 3/16"
"C" Length	2"	2 3/16"